

Outdoor Chef  
collection.

**LivingFlame**  
LIVINGFLAME.CO.NZ



Beautiful fires for beautiful homes



# LivingFlame

LIVINGFLAME.CO.NZ

+64 9 622 1148

INFO@LIVINGFLAME.CO.NZ

343B CHURCH STREET, PENROSE, AUCKLAND



*designed to be as individual as you are*

# Living Flame

## Chef Cook on Features



- Natural Gas or LPG
- 1200/1500mm Stainless Steel Body with a Brushed Finish
- Brushed Stainless Steel Trim
- Cooking Light
- Fold Down Warming Tray
- Fold Up Mild Steel Cooking Plate
- Logs, Coals and Ember Effect
- Easy Clean Drip Tray
- Flip Down Ash Cover Drawer
- Dual Burner Controls
- Piezo Ignition
- Variable Controls



LivingFlame



LivingFlame



LivingFlame



LivingFlame



LivingFlame





LivingFlame



LivingFlame



LivingFlame

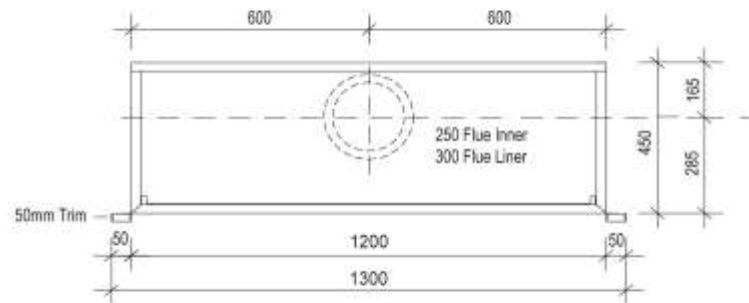
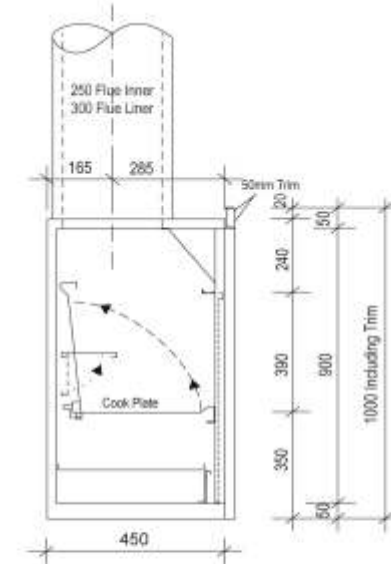
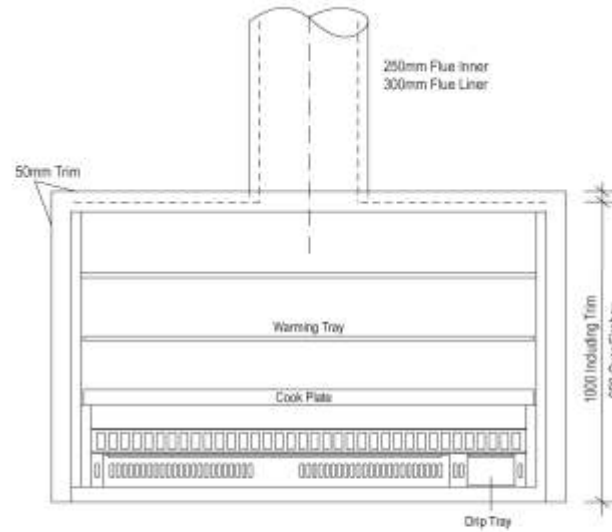
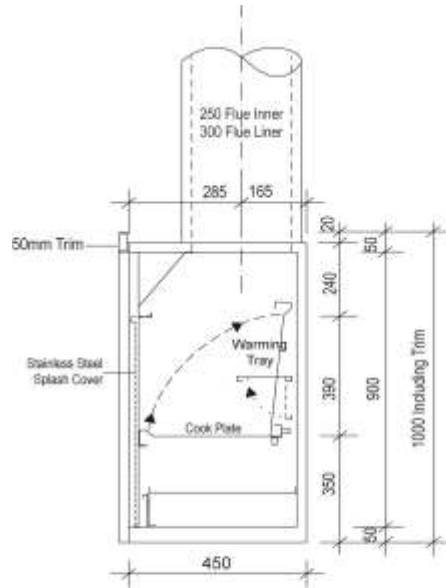


LivingFlame



# Living Flame

## Chef 1200mm Dimensions



Living Flame - Auckland  
343b Church Street  
PO Box 12964, Penrose  
P: 09 6221148 F: 9 6221179  
Email: info@livingflame.co.nz  
Web: www.livingflame.co.nz

**Drawing Title**  
Chef 1200 Dimensions

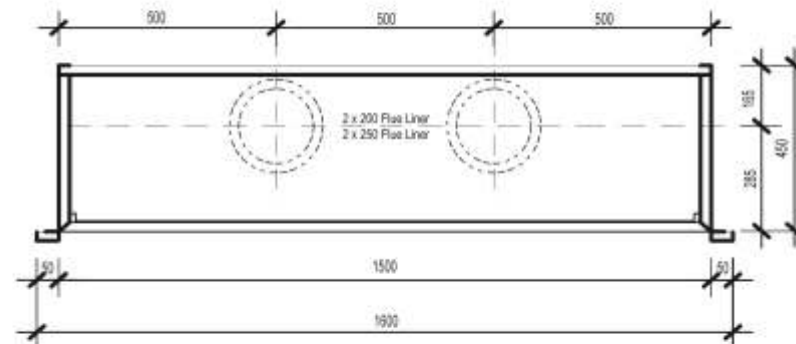
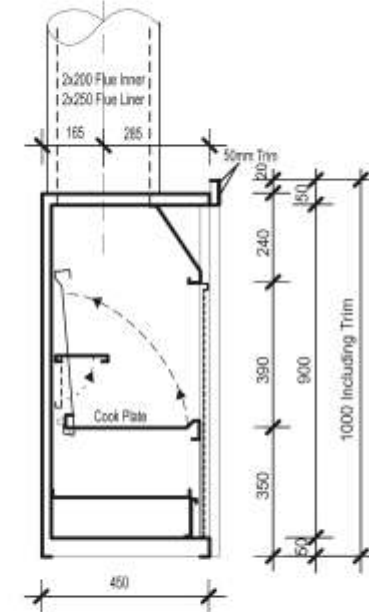
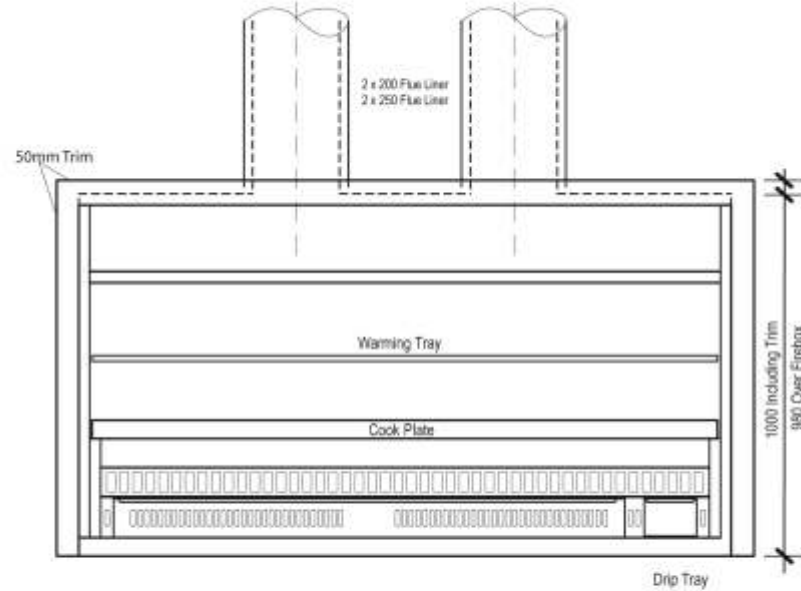
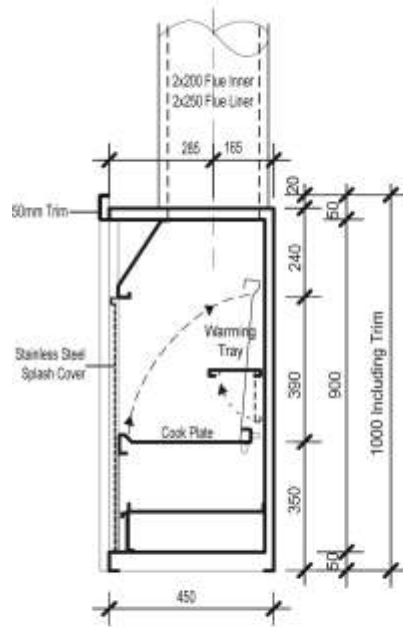
© Copyright Living Flame 2014



Drawn	Living Flame
Date	Sept 2014
Scale	
Revised	
Drawing Number	

# Living Flame

## Chef 1500mm Dimensions



Living Flame - Auckland  
 343b Church Street  
 P.O. Box 12964, Penrose  
 P: 09 6221148 F: 9 6221179  
 Email: info@livingflame.co.nz  
 Web: www.livingflame.co.nz

**Drawing Title**  
 Chef 1500 Dimensions

© Copyright Living Flame 2014



Drawn	Living Flame
Date	Sept 2014
Scale	
Revised	
Drawing Number	

+64 9 622 1148

INFO@LIVINGFLAME.CO.NZ

343B CHURCH STREET, PENROSE, AUCKLAND

LIVINGFLAME.CO.NZ

**LivingFlame**

Beautiful fires  
for beautiful  
homes.