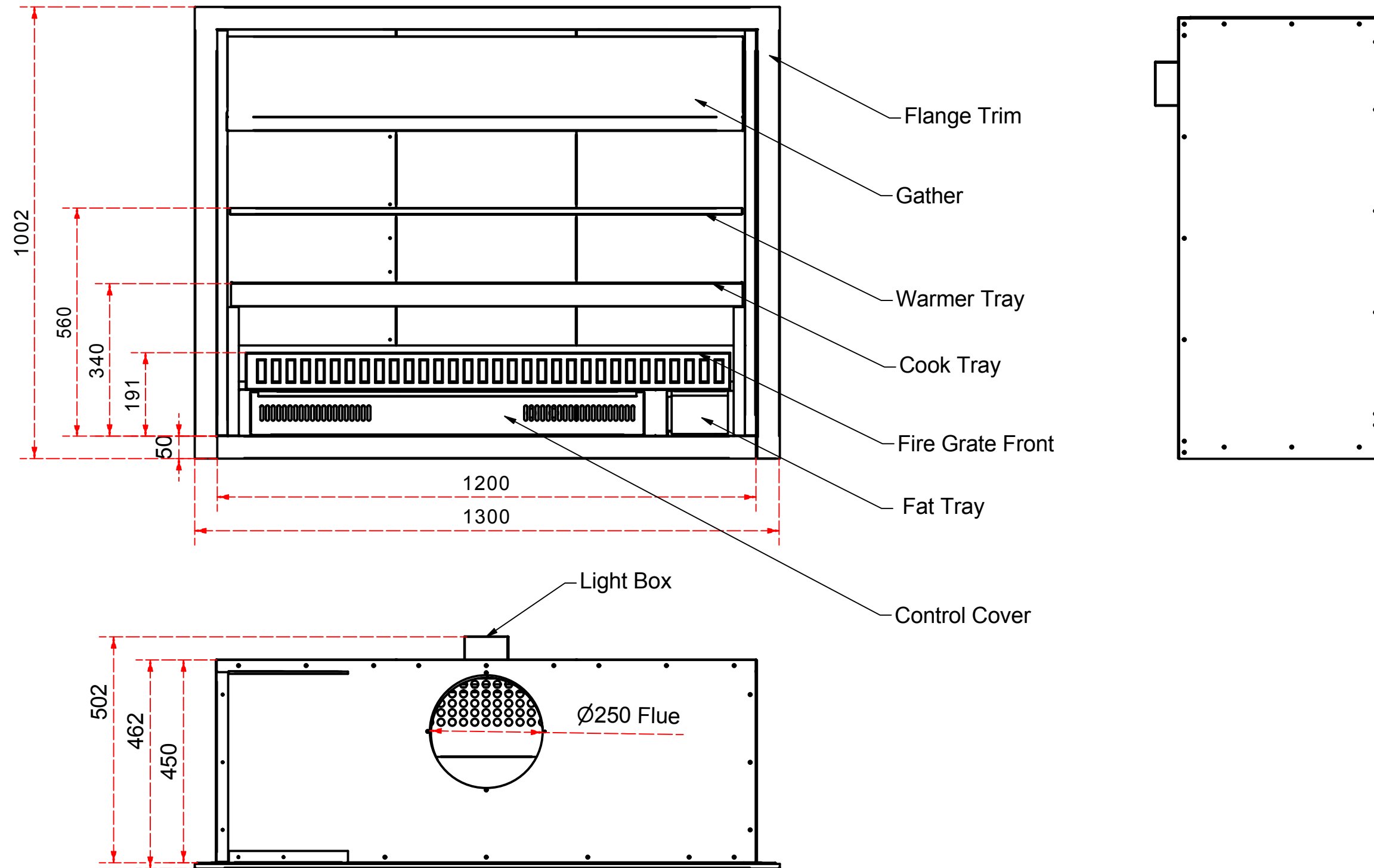


Designed by SJones	Date 8/06/2015	Material	Tolerance + / - .25mm
Living Flame	Chef 1200		Checked by
	Chef 1200 Assembly		Edition No 3
			Sheet 1 / 28



Designed by SJones	Date 8/06/2015	Material	Tolerance + / - .25mm
Living Flame	Chef 1200 Cook On Elevations		Checked by
	Chef 1200 Assembly		Edition No 3
			Sheet 2 / 28