

Living Flame
November 2001



Installation & Operating Instructions Outdoor Entertainer Gas Flares



Gas Flares

Technical Details subject to change
Please ensure you have the latest specifications

Living Flame

Flare Head with Flame Failure Safety Controls
Manual Ignition

15 mm BSP Female Mount
Brushed Stainless Steel



Living Flame

Outdoor Entertainer Flare

Expressed Guarantee
July 99

Outdoor Entertainer Flare One Year Replacement Parts Guarantee

This is a one year replacement parts guarantee and covers parts only

Living Flame Fires, Auckland, New Zealand undertakes to supply any flare part that is found to be defective due to material, manufacture or components failure, within the first year of the guarantee period.

The Replacement Parts Guarantee period begins at the date of supply

EXCLUSION FROM GUARANTEE

- * All labour and freight
- * Paint or surface finishes:
- * Problems caused through site or external damage:
- * Problems caused through poor installation:
- * Problems caused by misadjustment or damage to control system:
- * Problems caused by not demonstrating the appliances to the customer correctly:
- * Problems caused by distributors selling the appliance to a customer for the wrong purpose.

INSTALLATION

Outdoor Entertainer Flares must be installed to comply with:

- * All New Zealand Standards and Building Codes where relevant;
- * Australia/New Zealand Standards 5601 Installation Gas Code;
- * Flare Installation Instructions;
- * Flare Operating Instructions;
- * Flare Maintenance Instructions.

Outdoor Entertainer Flares must be installed free from corrosive elements.

Outdoor Entertainer Flares must be installed outside.

A suitably qualified person must install Outdoor Entertainer Flares, a certificate of compliance must be made by a Registered Certifying Gasfitter under the New Zealand Gas Act.

OPERATING

Outdoor Entertainer Flares must be operated in accordance with Living Flame Operating Instructions.

Outdoor Entertainer Flares should be used only for the burning of gas fuels, Natural Gas, Liquid Petroleum Gas or Propane Gas. The type of gas to be used is as specified on the units rating specification plate.

MAINTENANCE

Outdoor Entertainer Flares should be inspected, cleaned, serviced and recommissioned at least once yearly.

Guarantee should be kept in a safe place along with the Operating Instructions

Living Flame Outdoor Gas Flare

Warning ! Hot Surfaces !!

A fireguard should be used
for the Protection of
Young Children the Elderly and Infirm



Operation

- * Connect to Gas Supply
- * Turn On Shut Off Valve
- * Light Flare at Base of Fire with a Gas Match or Taper
- * Press Control Button All The Way In
- * Hold Control Button in for a Further 15 Seconds

Shut Down

- * Turn off shut off Valve or Disconnect Bayonet
- * Do Not Place Combustible Materials On or Near Flare
- * Do Not Place Under Combustible Materials
- * Minimum Vertical Clearance 1500 mm
- * Minimum Horizontal Clearance 500 mm

Manufactured & Tested to comply with
New Zealand Standards NZS 5261 & NZS 5262

Gas Type	Natural	LPG
Input rate MJ/hr	25.0	25.0
Injector mm	2.2	1.6
Running Pressure Kpa	1.0	2.5

Manufactured By

Living Flame Ltd 343b Church St, Penrose, Auckland NZ



Living Flame

Outdoor Gas Flare

Warning ! Hot Surfaces !!

A guard should be used
for the Protection of
Young Children the Elderly and Infirm

Operation

- * Connect to Gas Supply
- * Turn On Shut Off Valve
- * Light Flare at Base of Fire with a Gas Match or Taper
- * Press Control Button All The Way In
- * Hold Control Button in for a Further 15 Seconds

Shut Down

- * Turn off shut off Valve or Disconnect Bayonet
- * Do Not Place Combustible Materials On or Near Flare
- * Do Not Place Under Combustible Materials
- * Minimum Vertical Clearance 1500 mm
- * Minimum Horizontal Clearance 500 mm

Manufactured & Tested to comply with
New Zealand Standards NZS 5261 & NZS 5262

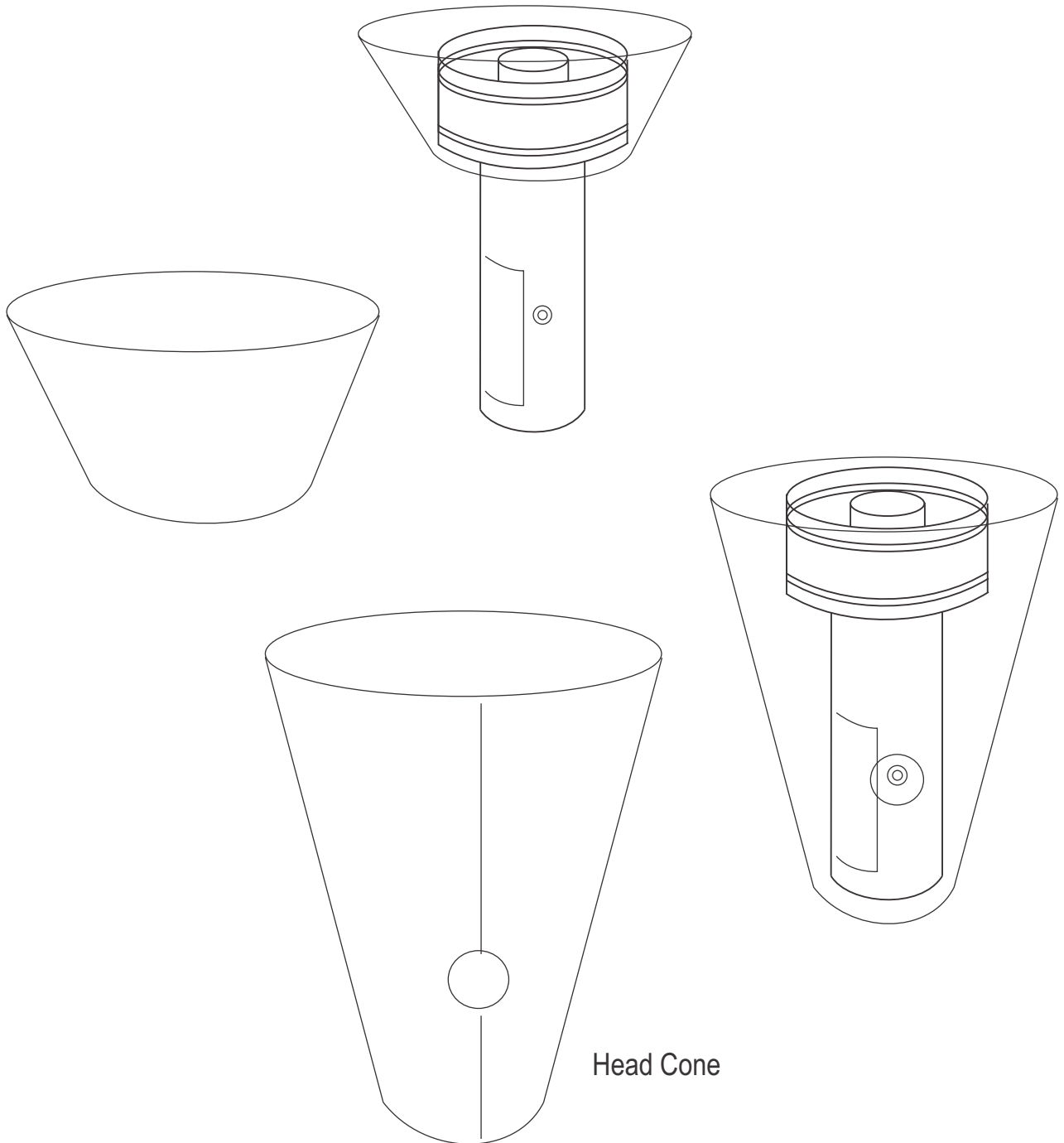
Gas Type	Natural	LPG
Input rate MJ/hr	25.0	25.0
Injector mm	2.2	1.6
Running Pressure Kpa	1.0	2.5

Manufactured By

Living Flame Ltd 343b Church St, Penrose Auckland NZ

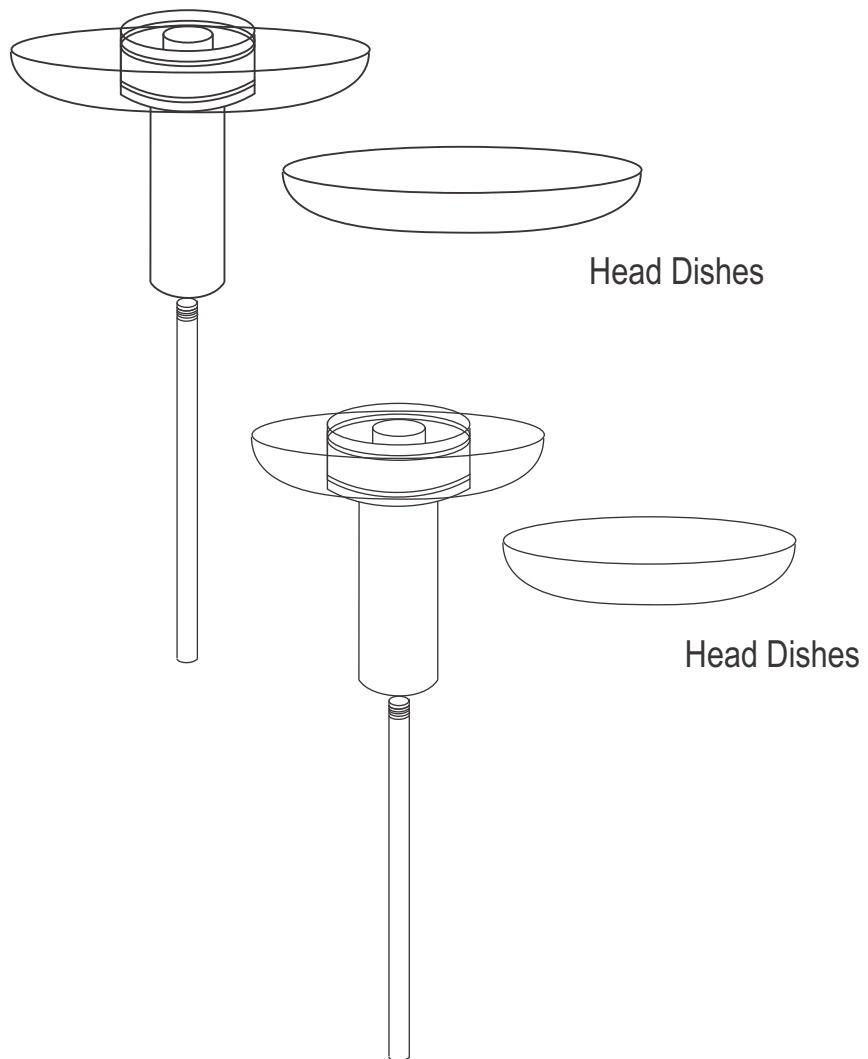
Example of Flare Head with Flame Failure Safety Controls Manual Ignition

Cone Head Shield



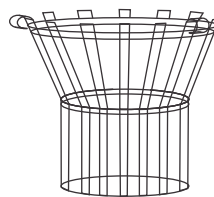
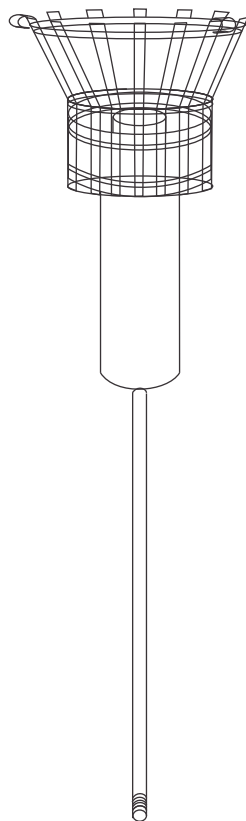
Head Cone

Example of Flare Head Dishes

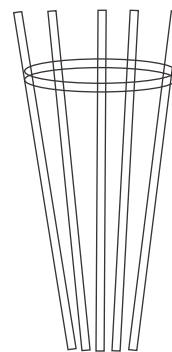
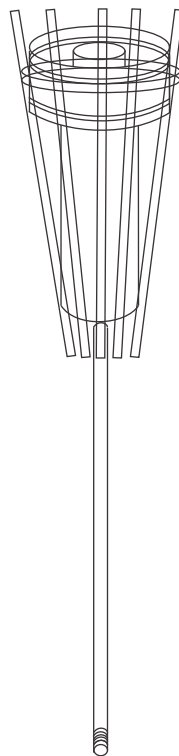


Example of Flare Head Baskets

Gothic or Tropic



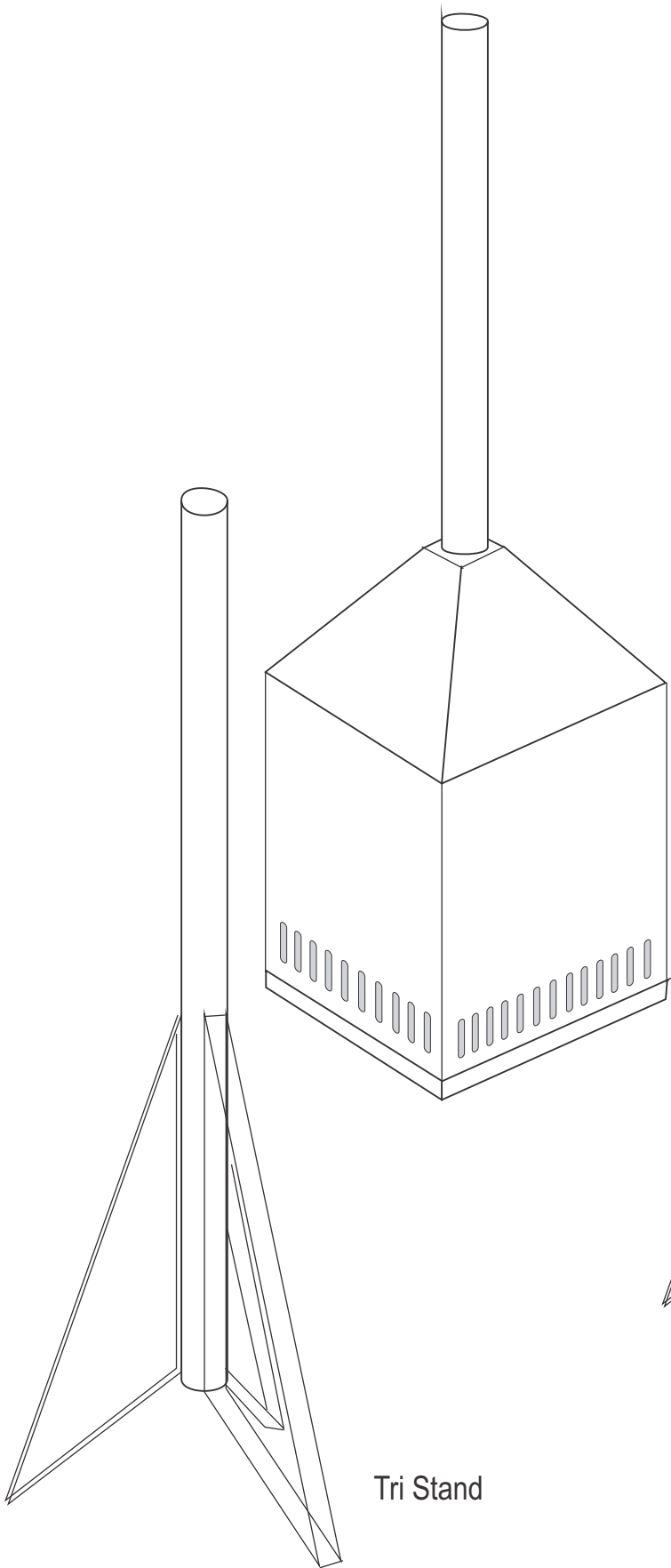
Gothic Head



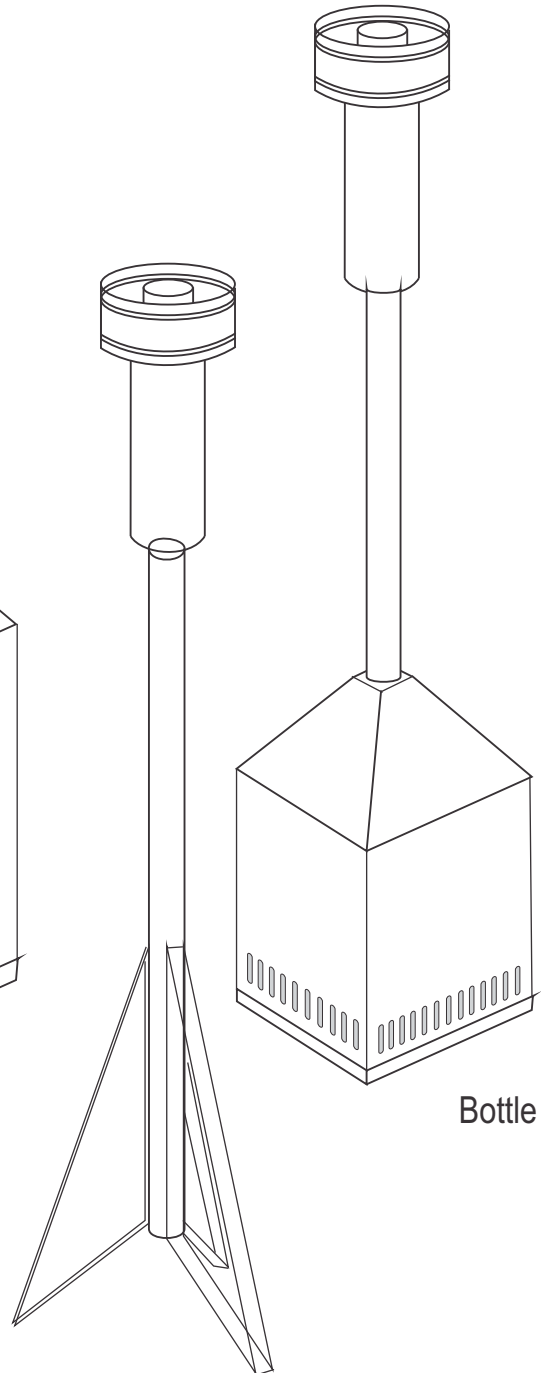
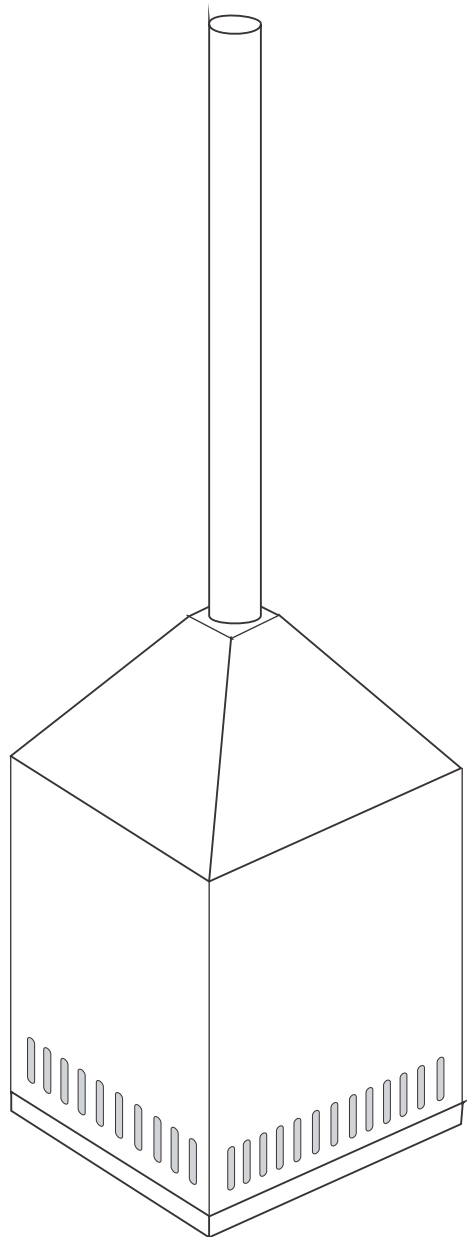
Tropic Head

Example of

Flare Free-Standing Base
Bottle Mount and Cover



Tri Stand

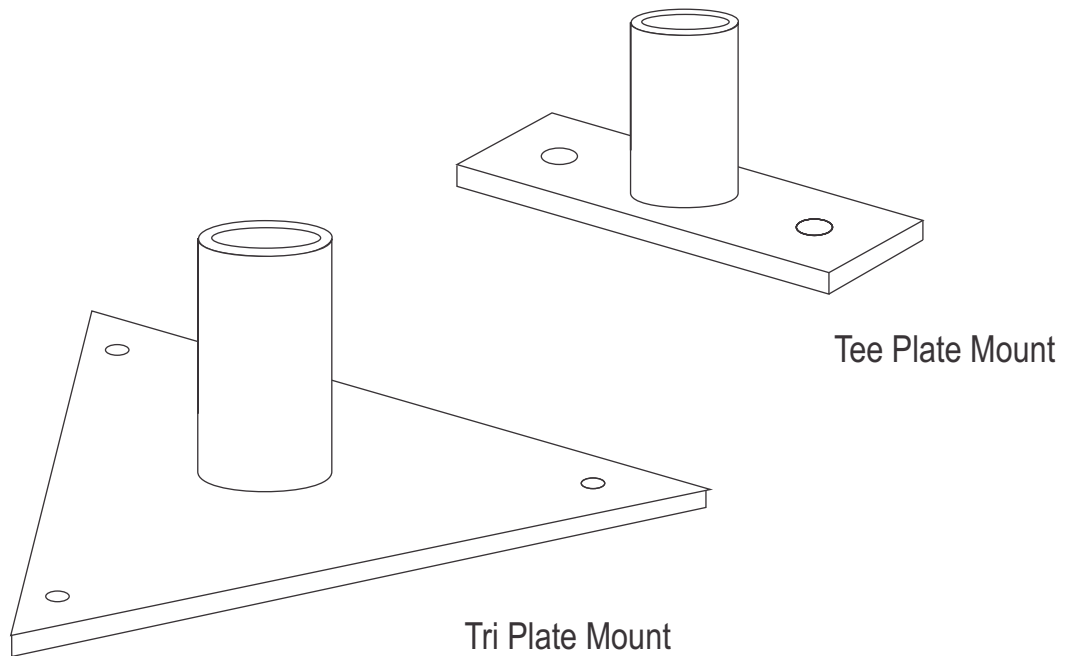


Bottle Stand

Example of

Flare Mounting Plate

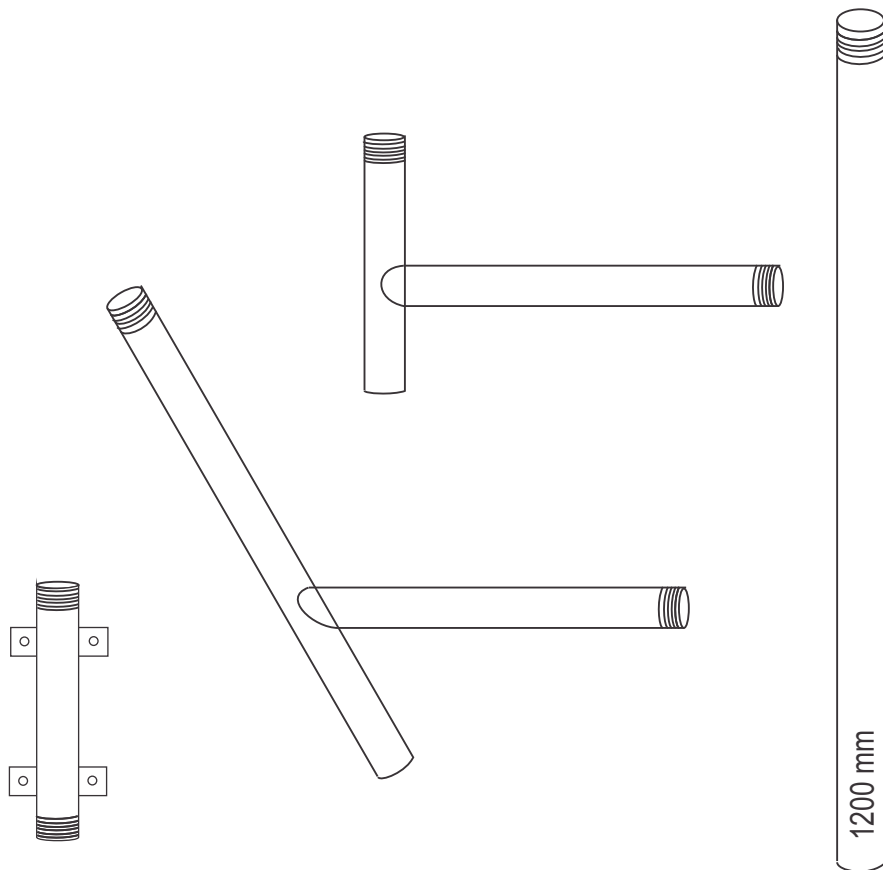
Tri Mount or Tee Mount



Example of

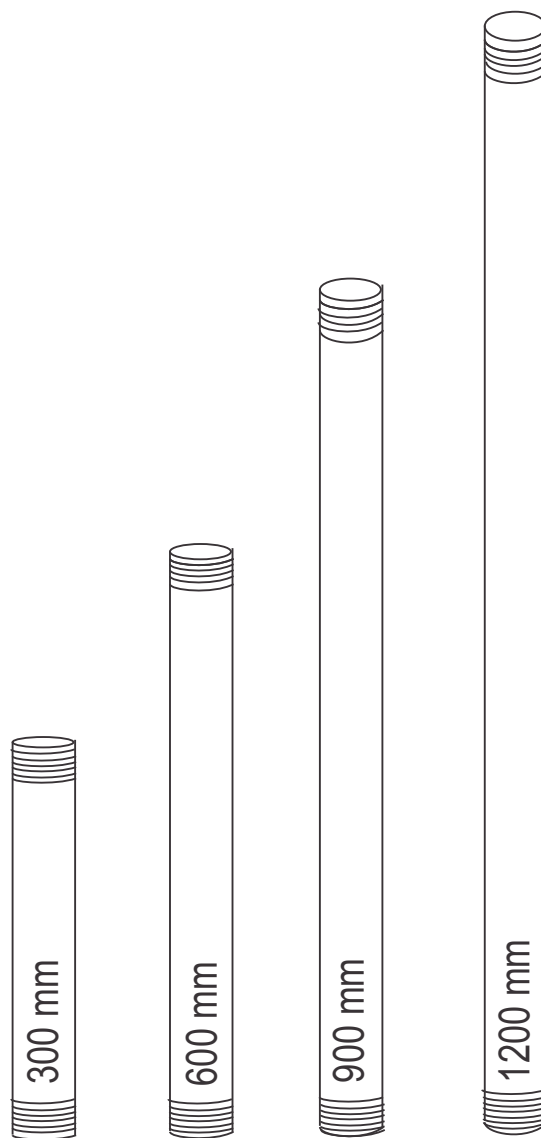
Wall and Mount tubes

Black Powder Coated
60 and 90 degree wall mounts
300 mm to 1800 mm Poles
250 mm Timber Joist Mounts

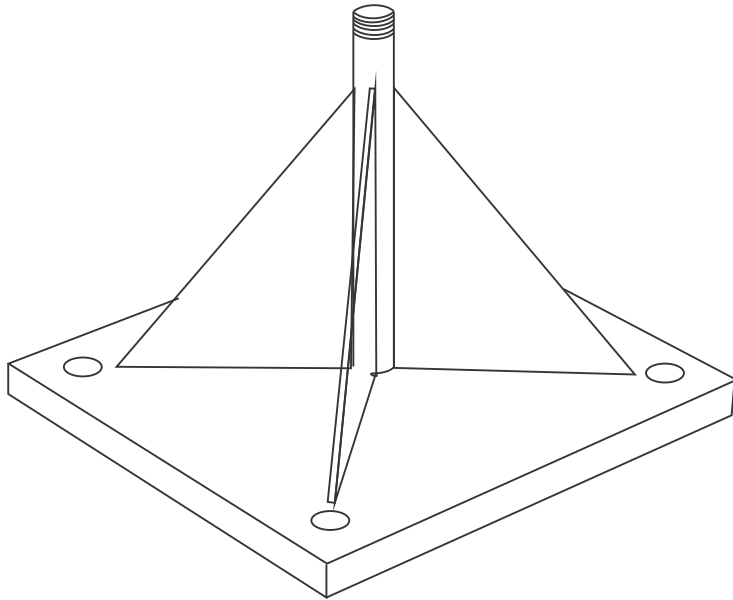


Example of Outdoor Entertainer Flares

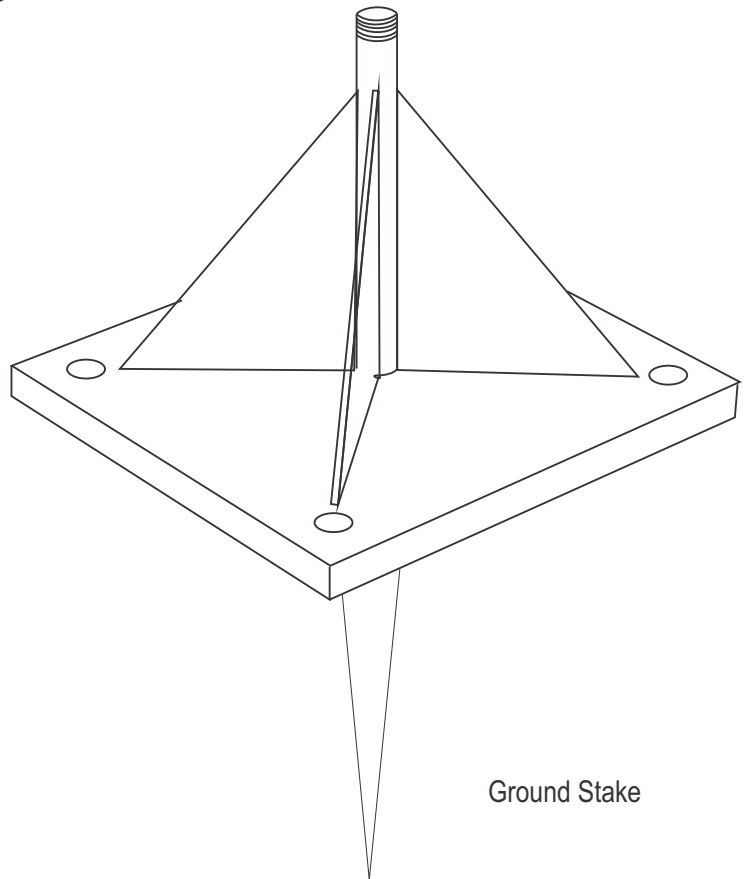
Stand Poles 300 mm - 1800 mm
Black Powder Coated



Example of Flare Deck Plate & Ground Stake



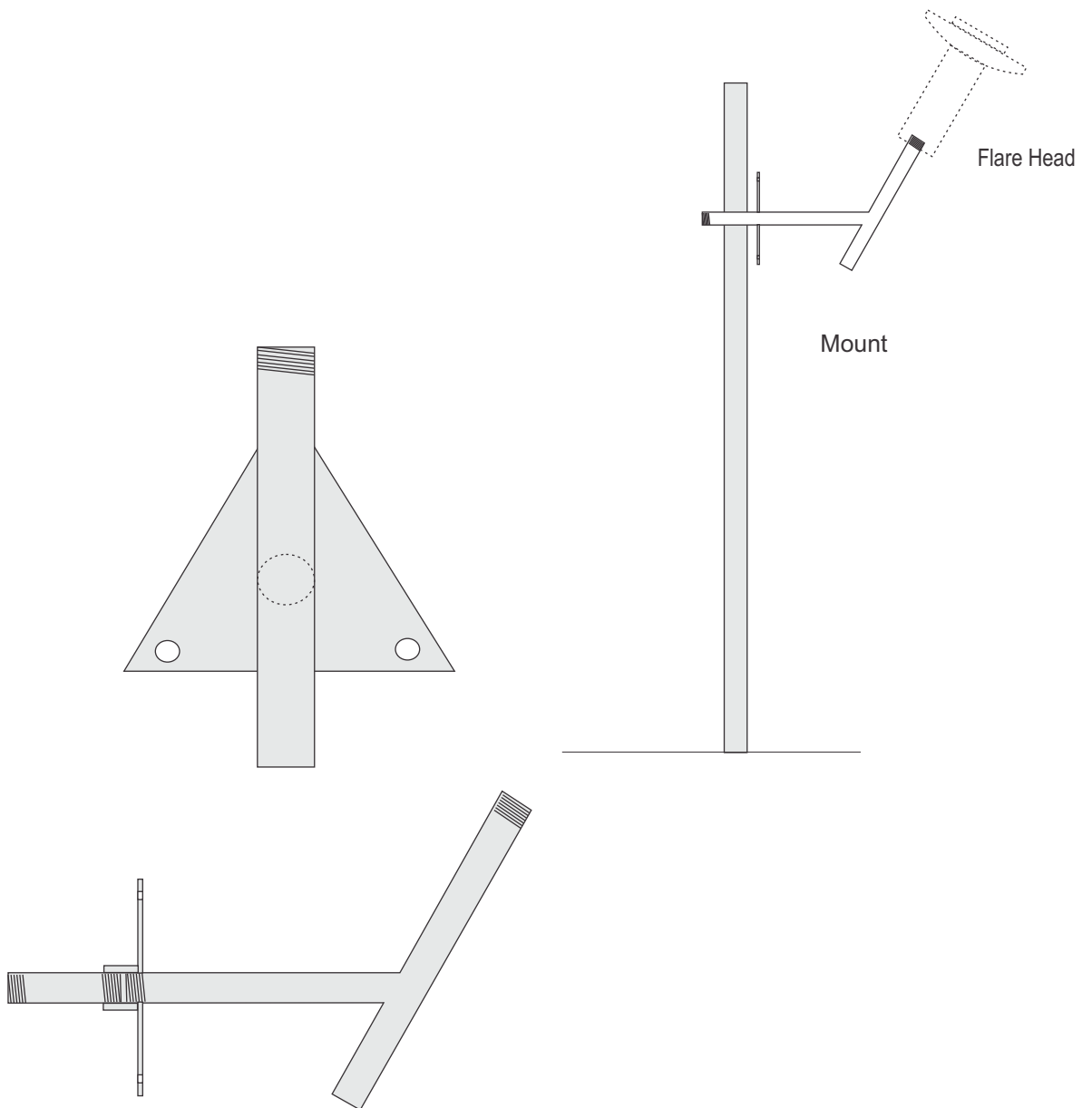
Deck Plate



Ground Stake

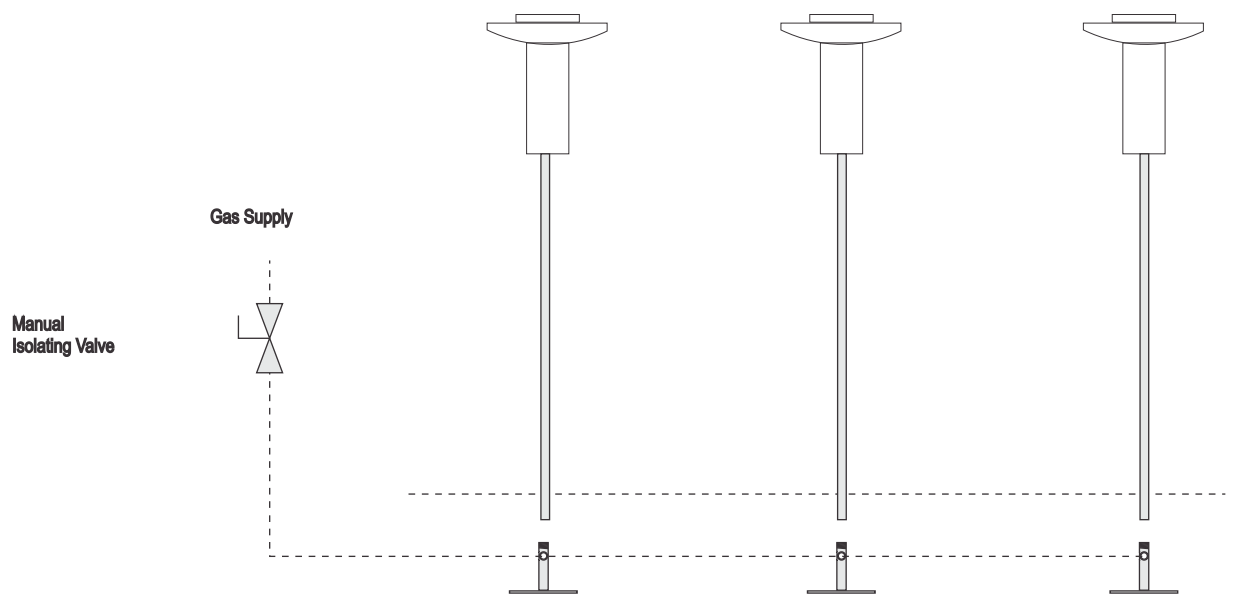
Example of Outdoor Entertainer Gas Flares

Wall Mount 60°



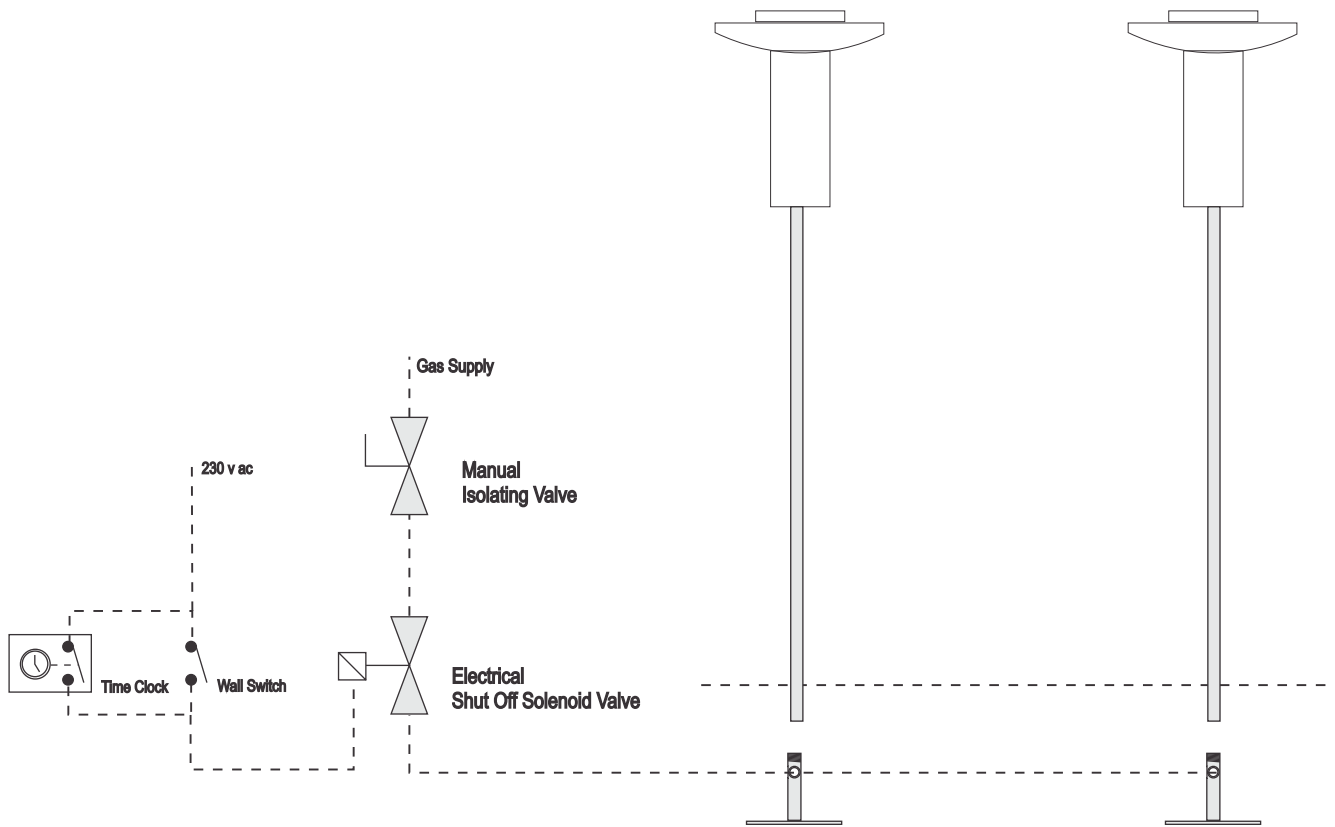
Example of Outdoor Entertainer Gas Flares

Shut off Systems



Example of Outdoor Entertainer Gas Flares

Shut off Systems



Example of Outdoor Entertainer Gas Flares

Shut off Systems

