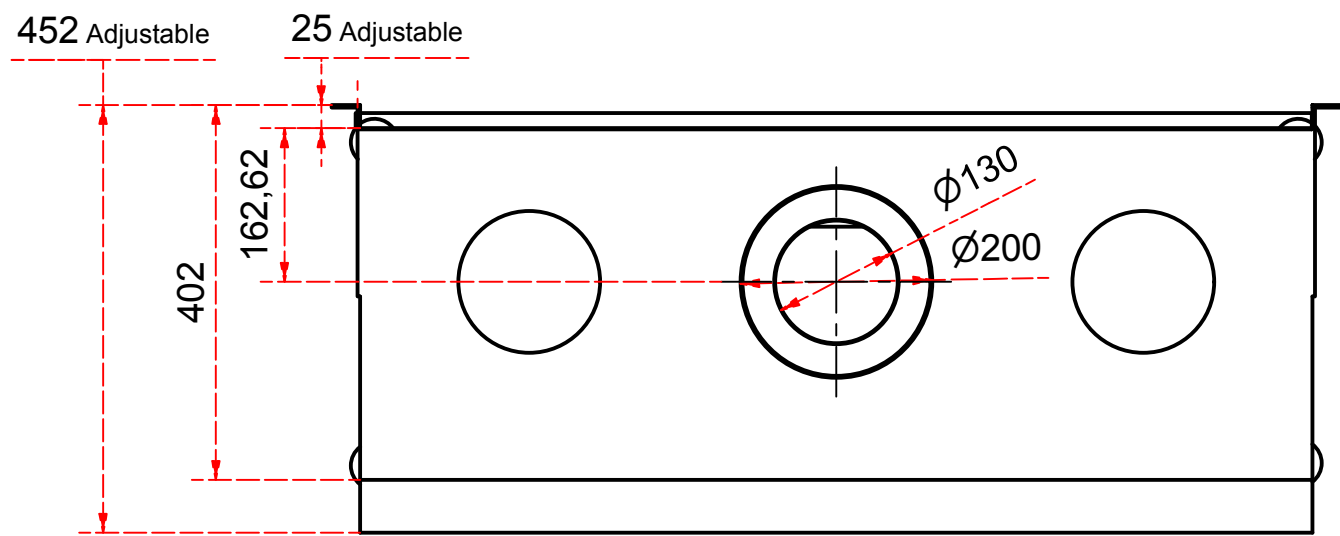
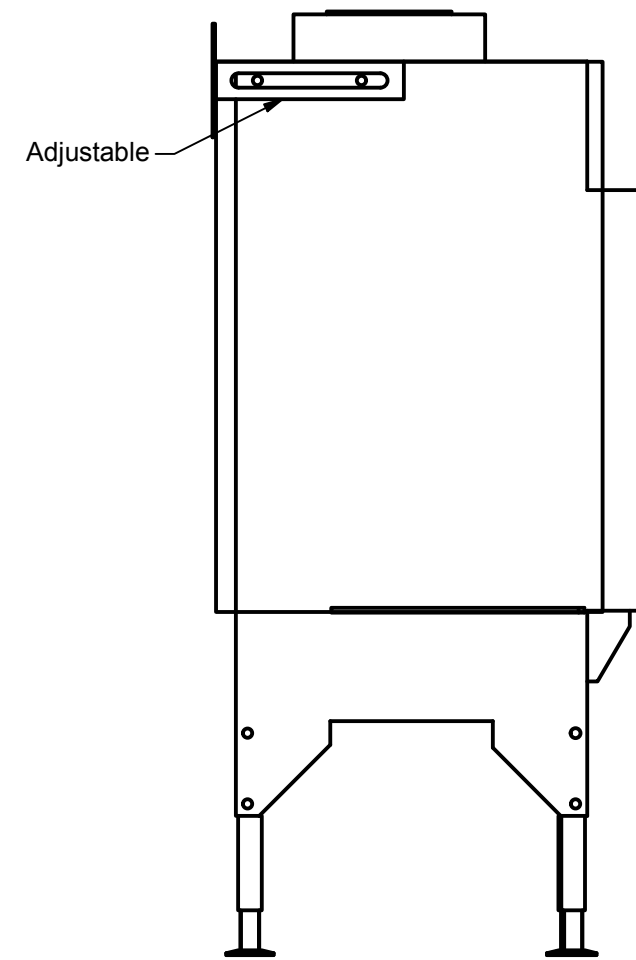
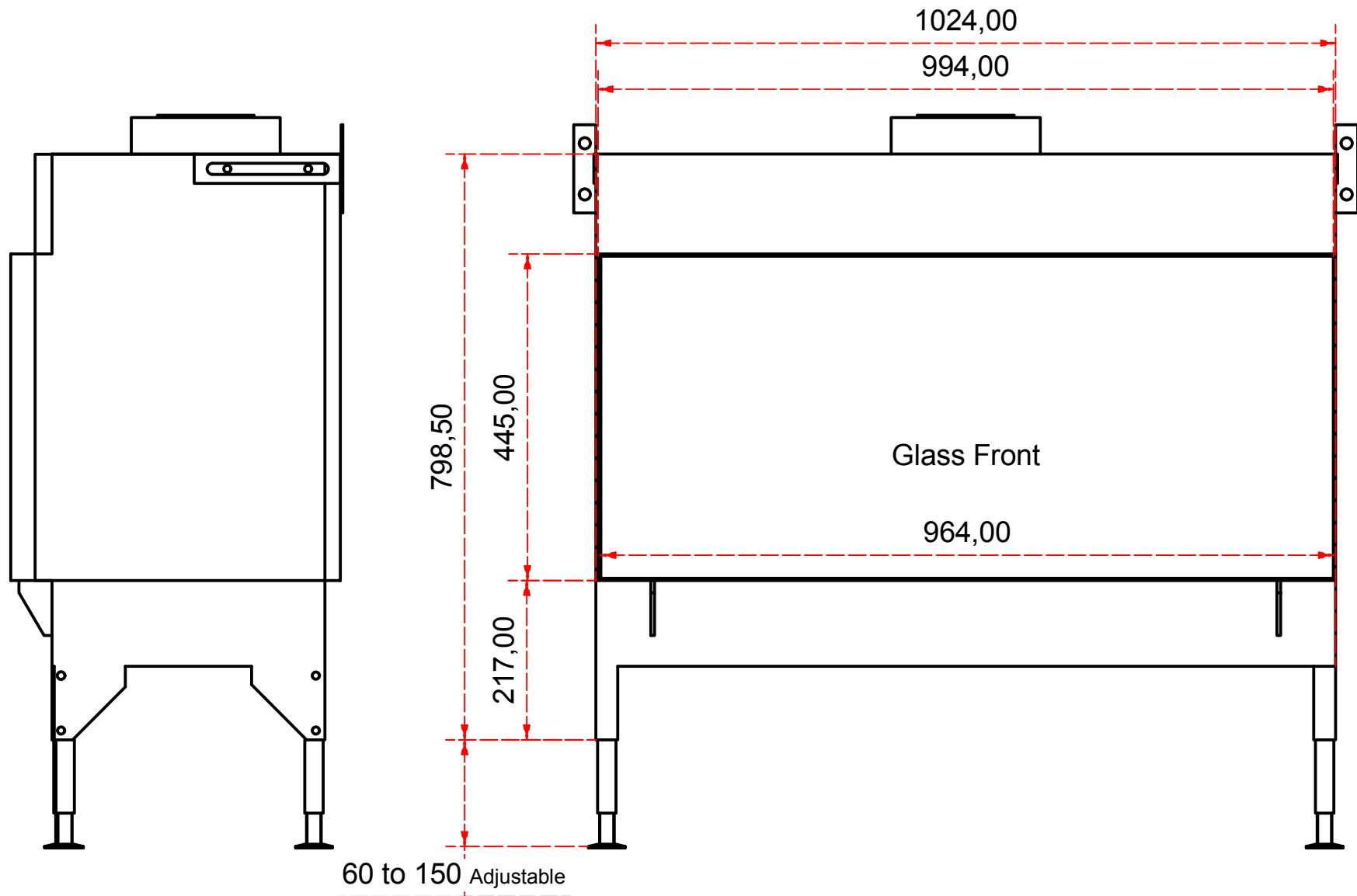
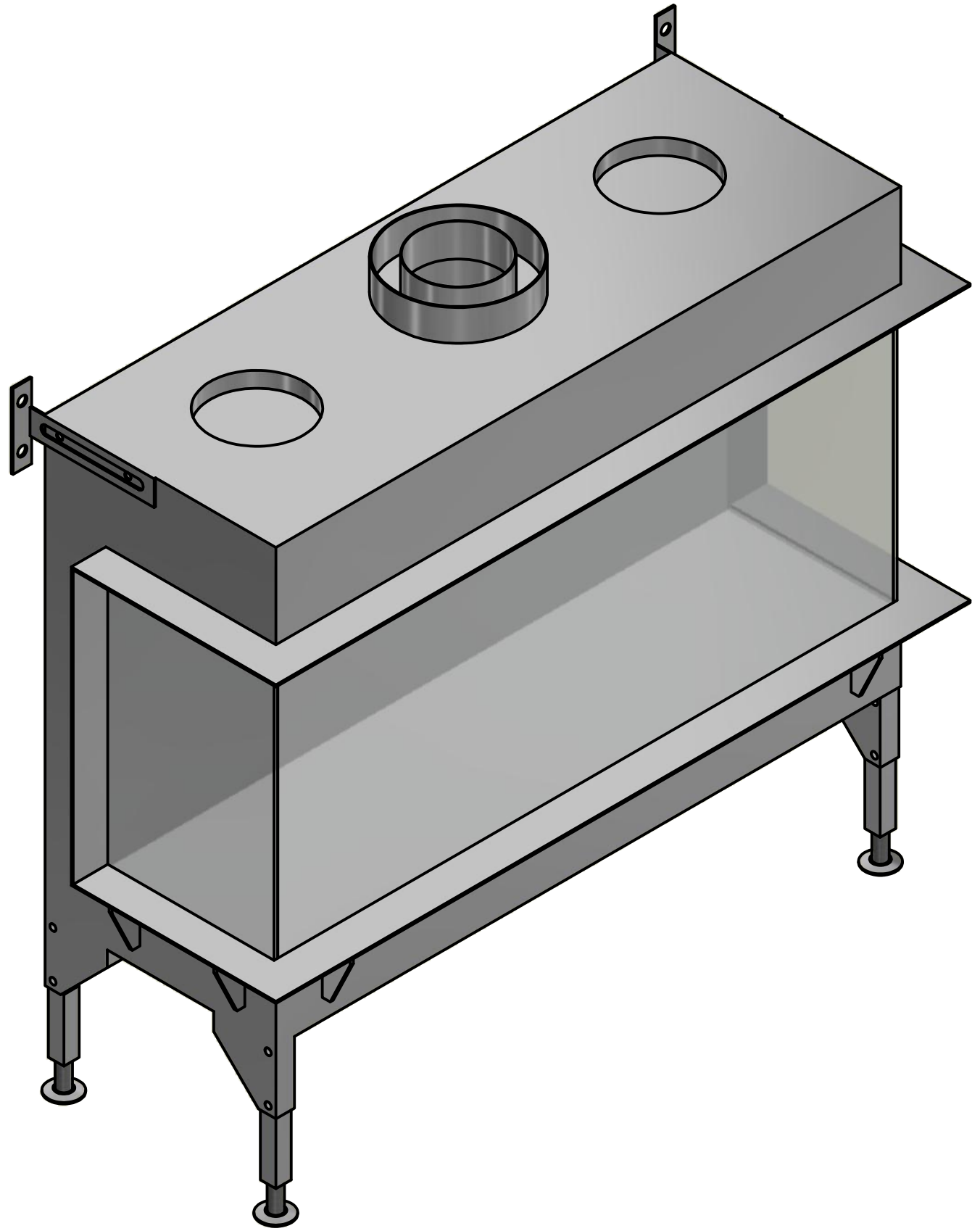


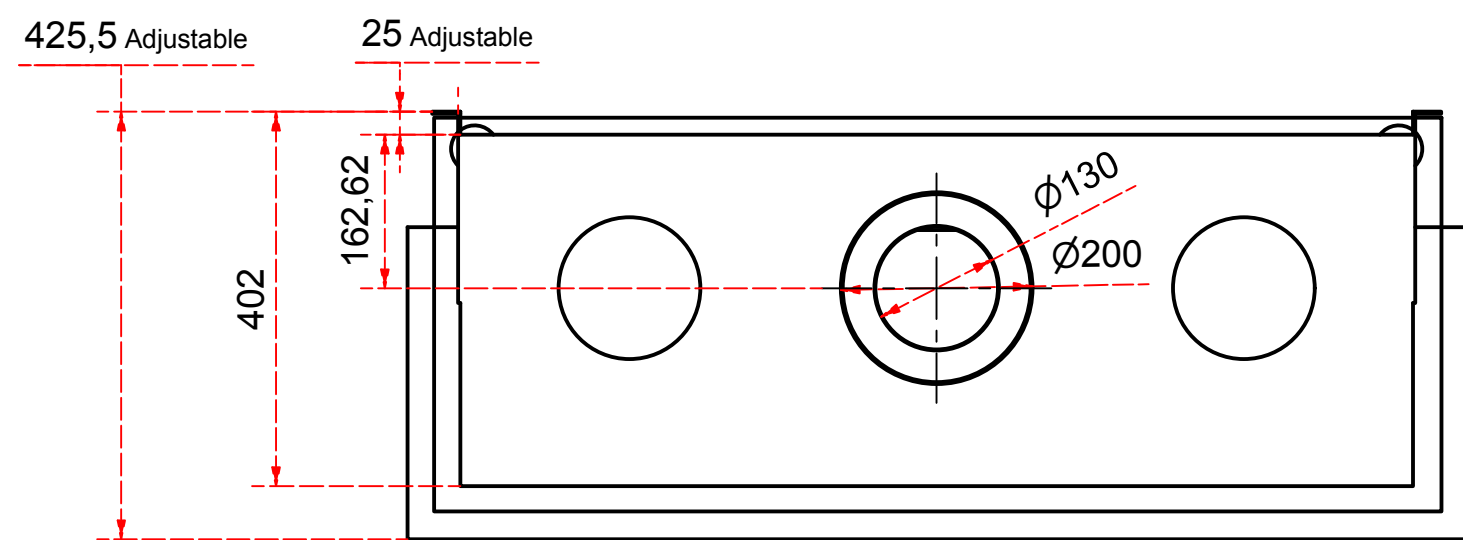
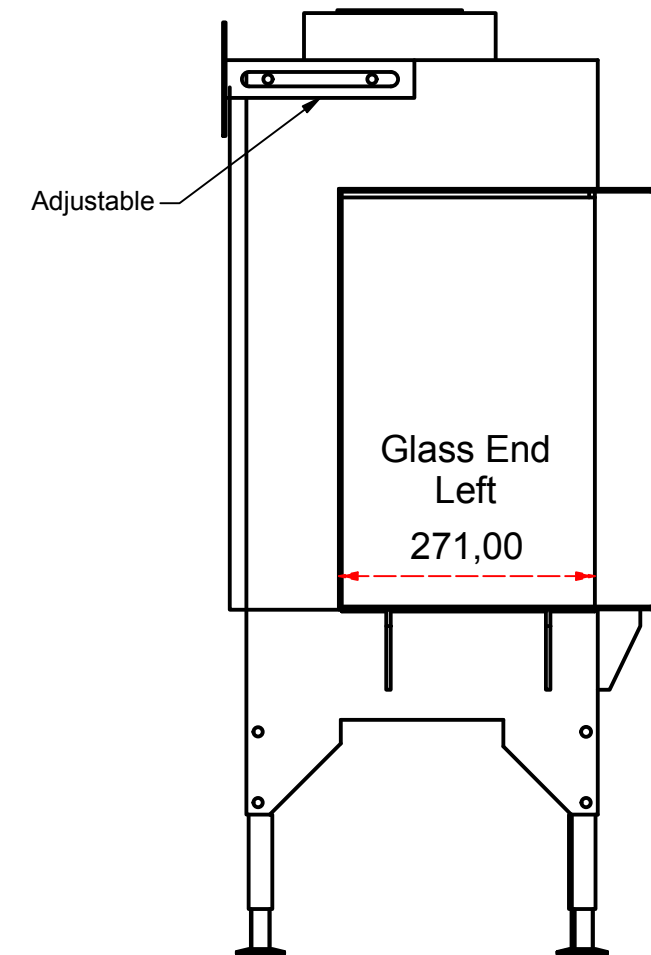
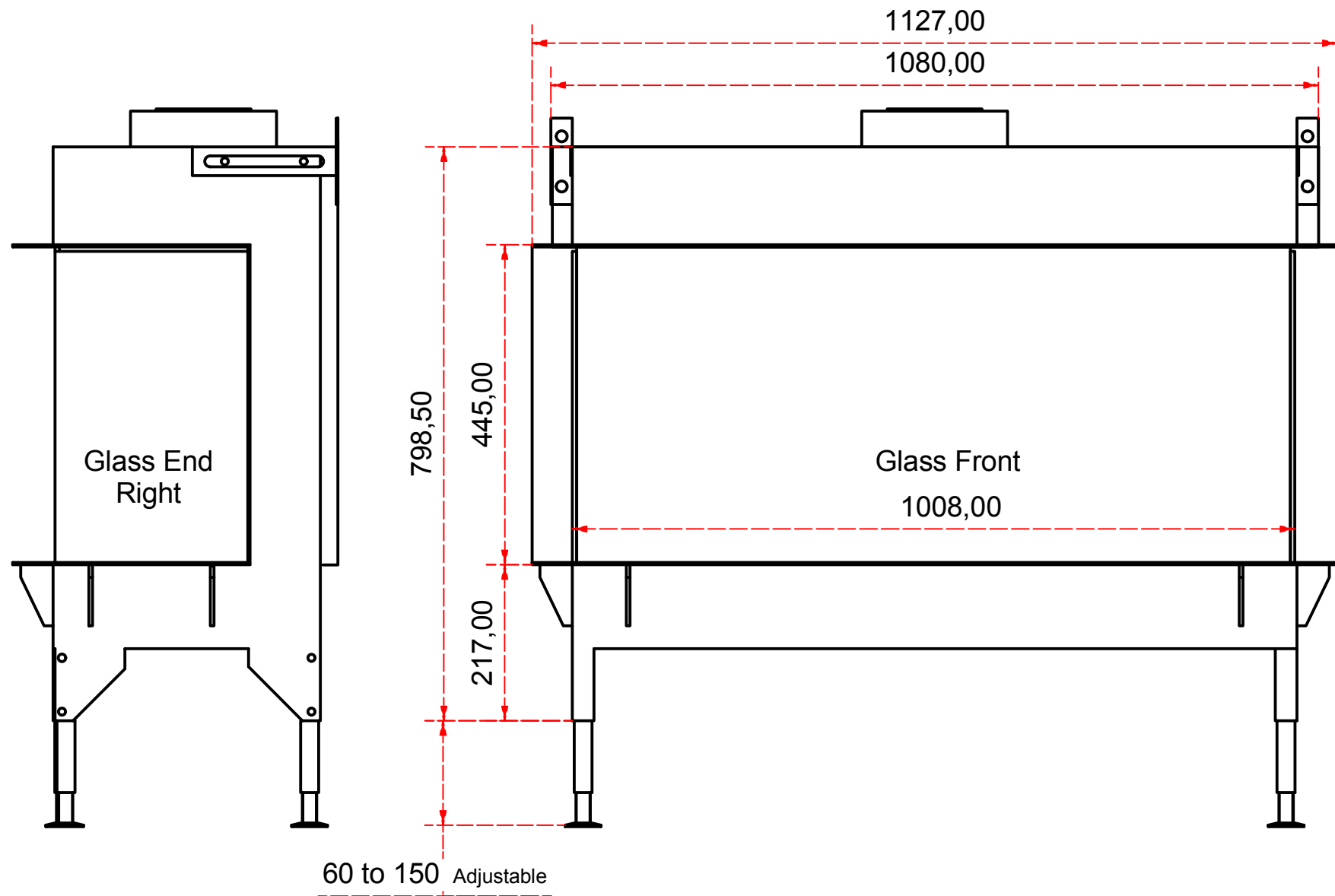
Designed by SJones	Date 1/07/2020	Material	Tolerance + / - .25mm
Living Flame	Planika Valentino 1000 Left Front Right	Checked by	
	Planika Valentino 1000 Front	Edition Rv 2	Sheet 1 / 2



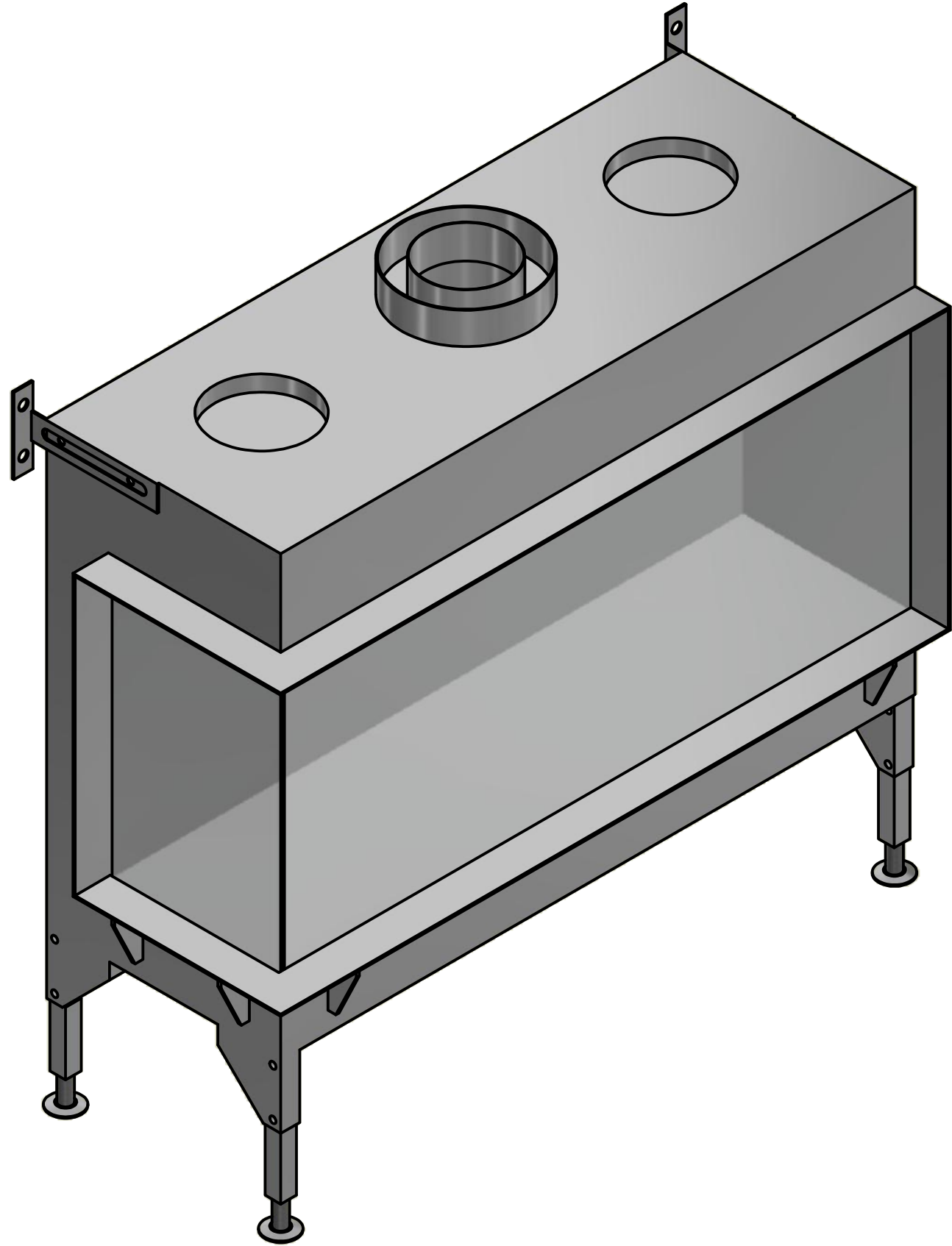
Designed by SJones	Date 1/07/2020	Material	Tolerance + / - .25mm
Living Flame	Planika Valentino 1000 Front Elevations		Checked by
	Planika Valentino 1000 Front		Edition Rv 2
			Sheet 2 / 2



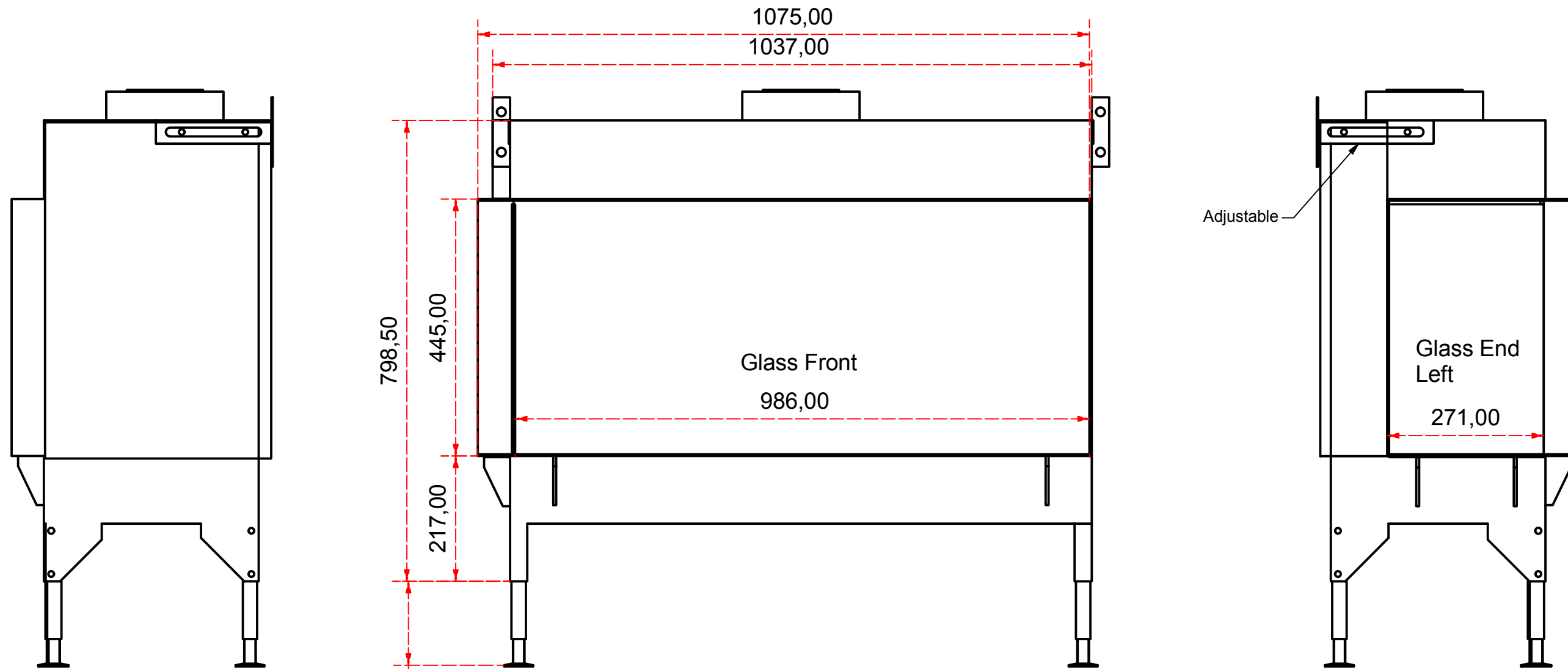
Designed by SJones	Date 1/07/2020	Material	Tolerance + / - .25mm
Living Flame	Planika Valentino 1000 Left Front Right	Checked by	
	Planika Valentino 1000 Left Front Right	Edition Rv 2	Sheet 1 / 2



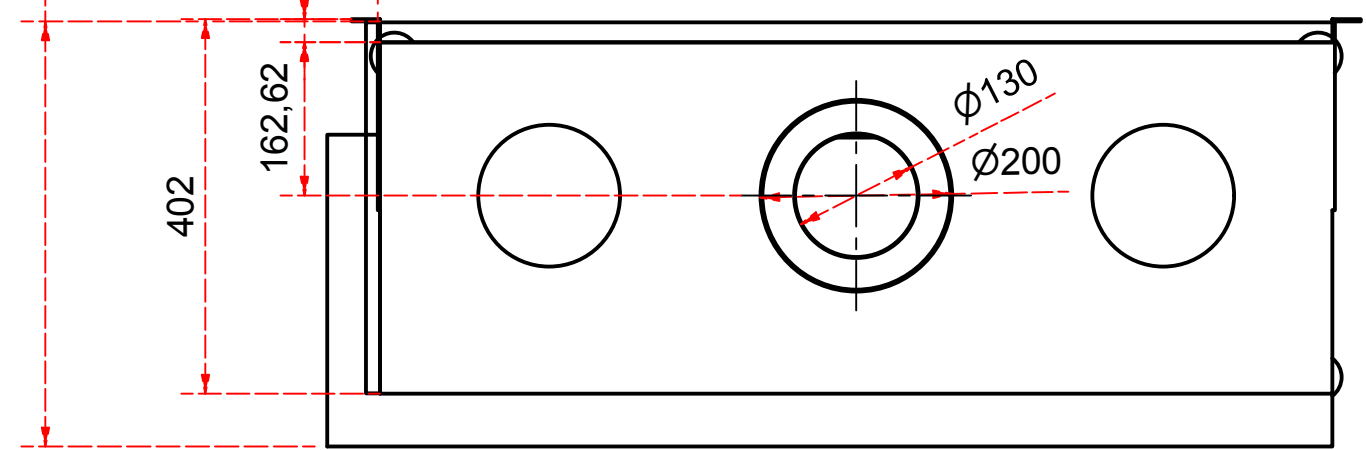
Designed by SJones	Date 1/07/2020	Material	Tolerance + / - .25mm
Living Flame	Planika Valentino 1000 Left Front Right Elevations		Checked by
	Planika Valentino 1000 Left Front Right		Edition Rv 2
			Sheet 2 / 2



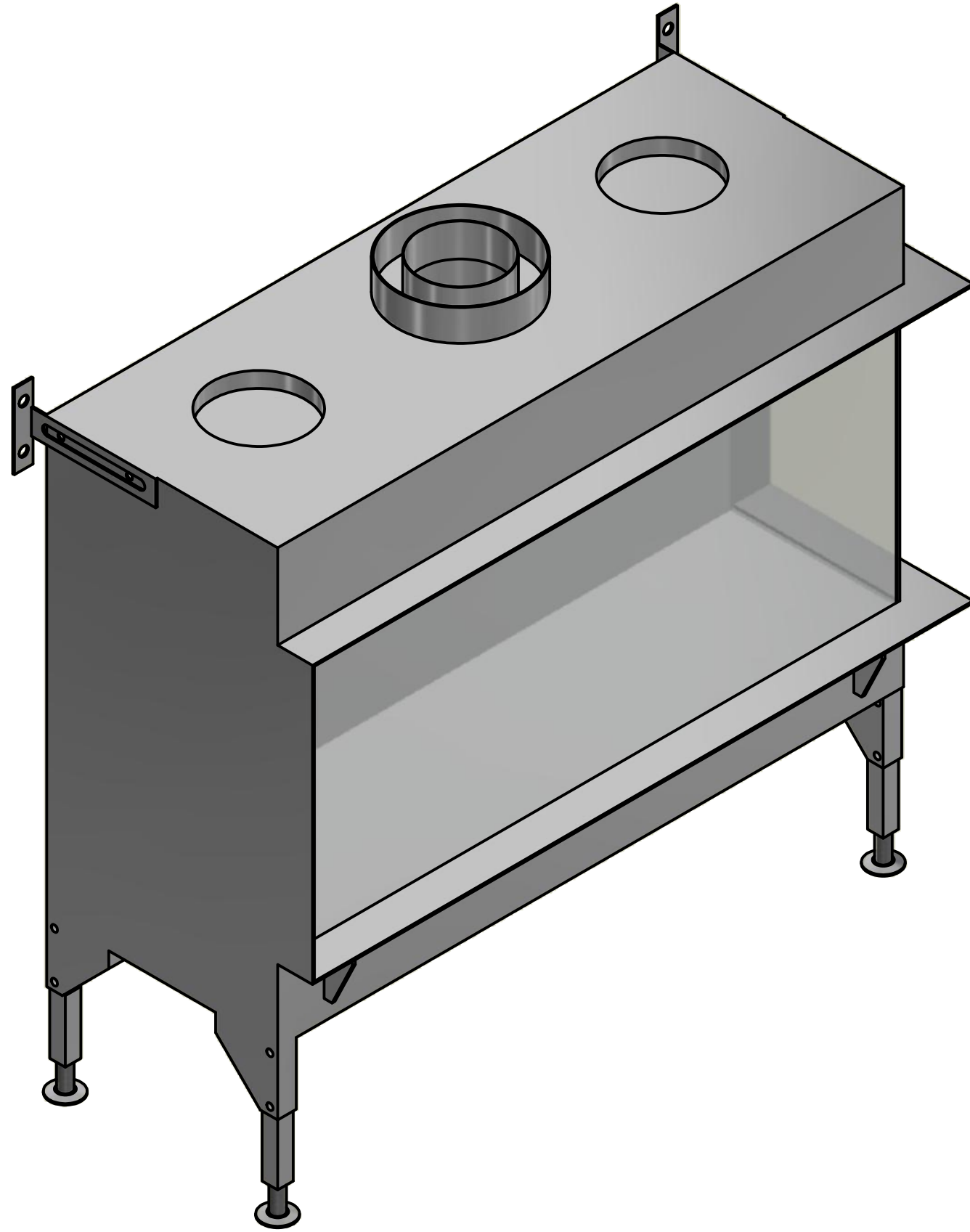
Designed by SJones	Date 1/07/2020	Material	Tolerance + / - .25mm
Living Flame	Planika Valentino 1000 Left Front		Checked by
	Planika Valentino 1000 Left Front	Edition Rv 1	Sheet 1 / 2



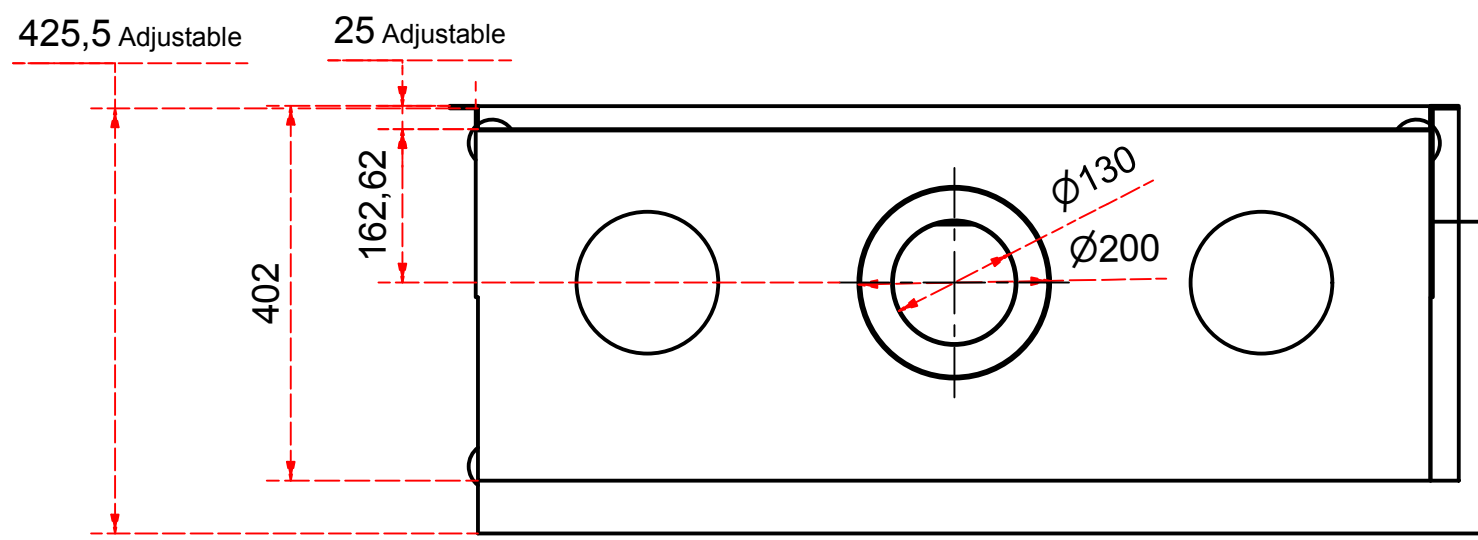
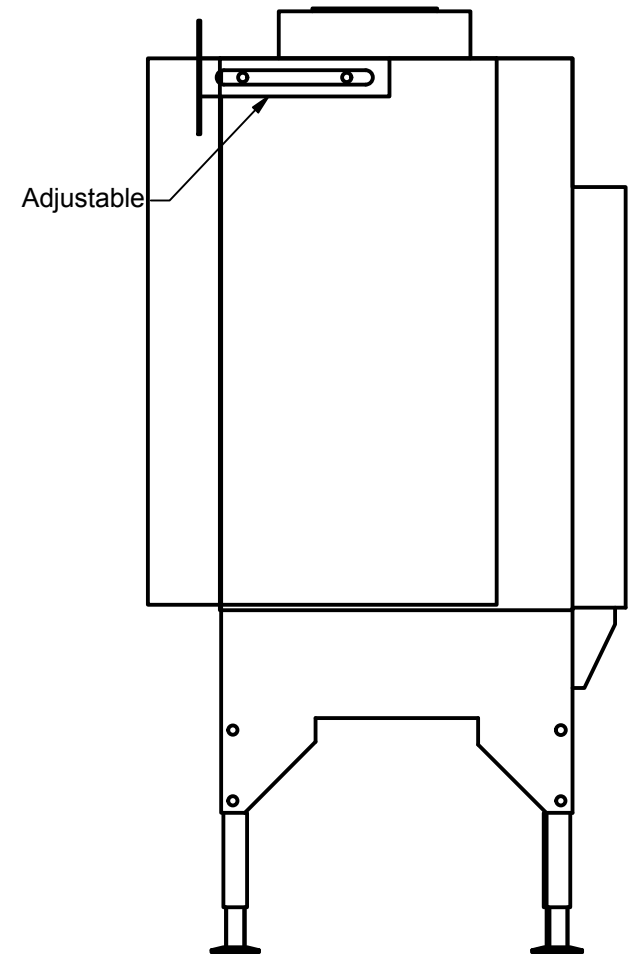
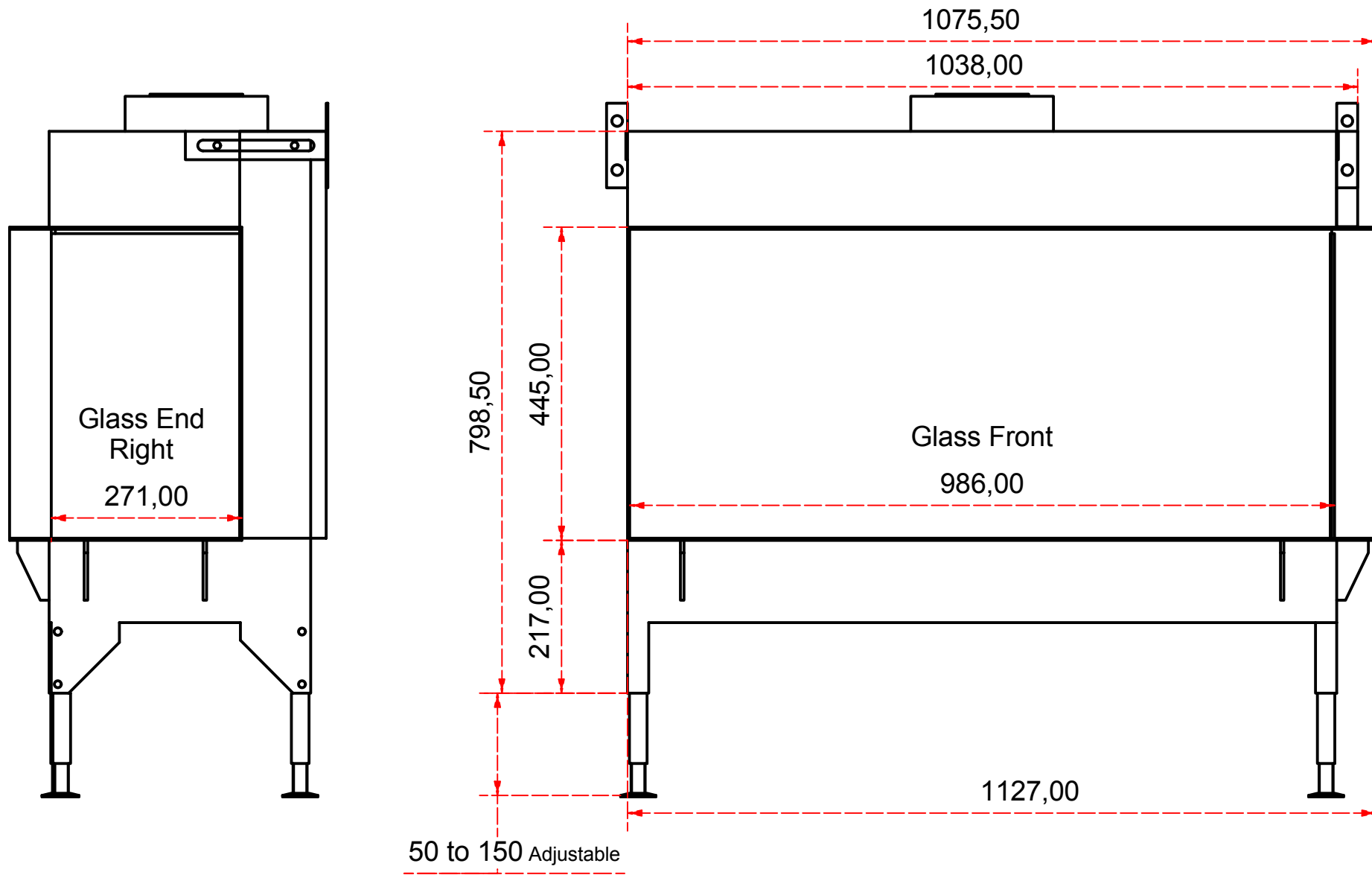
60 to 150 Adjustable
 425,5 Adjustable 25,00 Adjustable



Designed by SJones	Date 1/07/2020	Material	Tolerance + / - .25mm
Living Flame	Planika Valentino 1000 Left Front Elevations		Checked by
	Planika Valentino 1000 Left Front		Edition Rv 1
			Sheet 2 / 2



Designed by SJones	Date 1/07/2020	Material	Tolerance + / - .25mm
Living Flame	Planika Valentino 1000 Right Front		Checked by
	Planika Valentino 1000 Right Front		Edition Rv 2



Designed by SJones	Date 1/07/2020	Material	Tolerance + / - .25mm
Living Flame	Planika Valentino 1000 Right Front Elevations		Checked by
	Planika Valentino 1000 Right Front		Edition Rv 2 Sheet 2 / 2