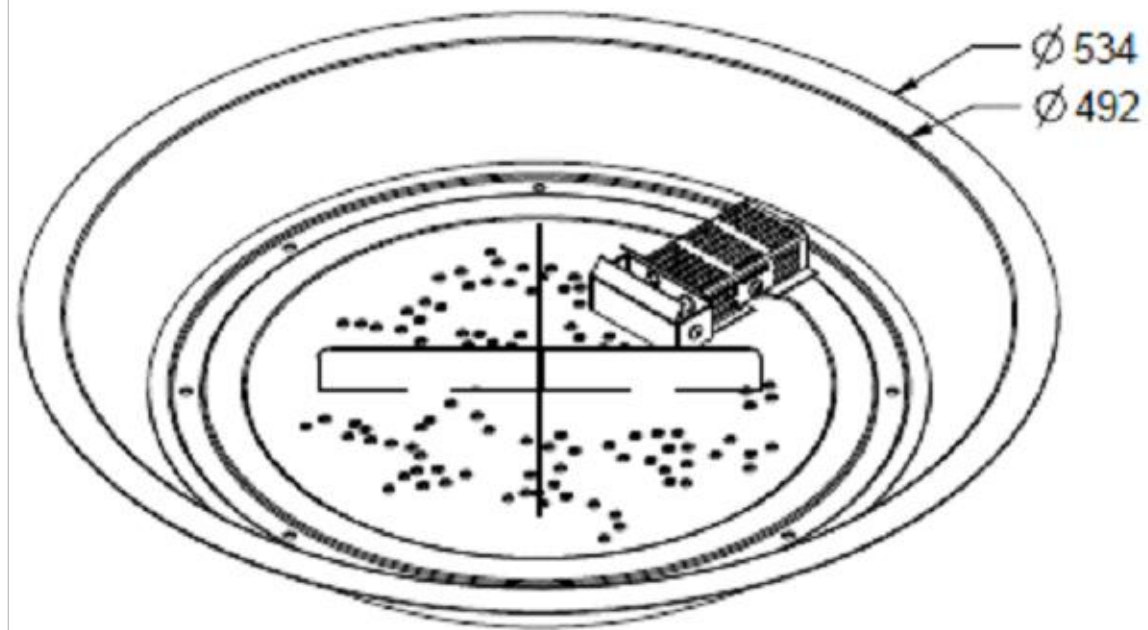
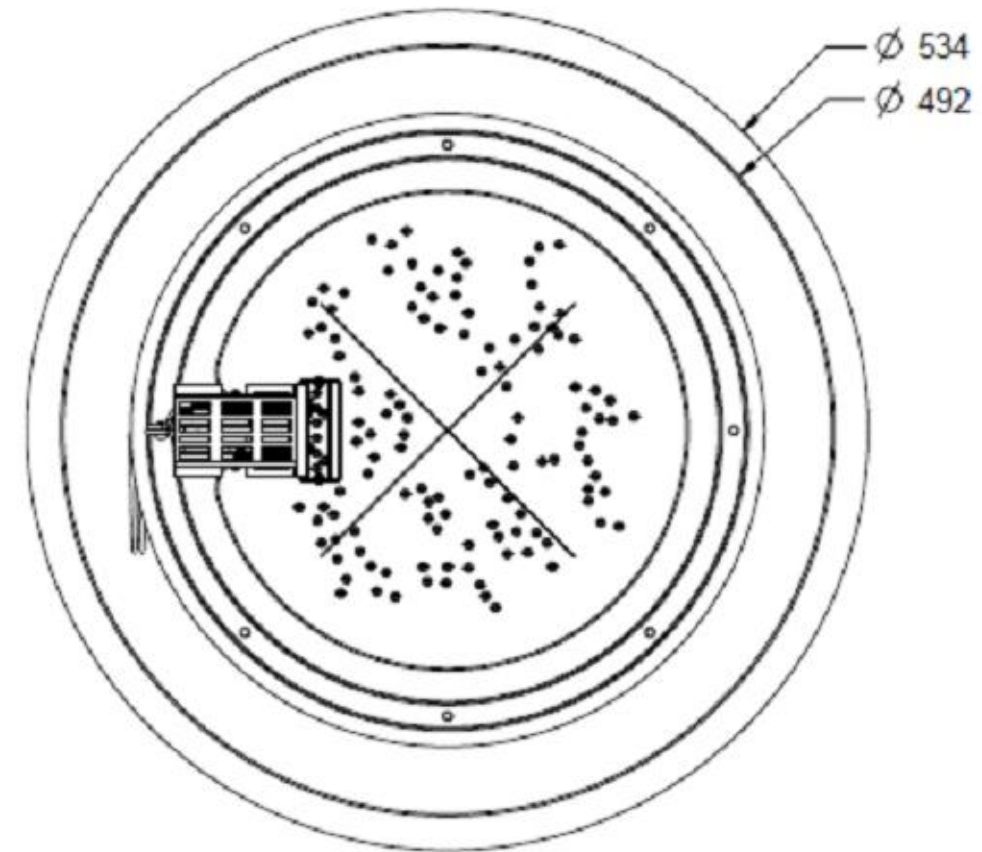
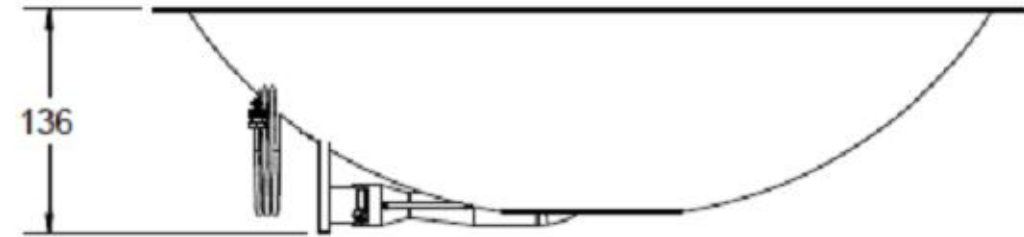
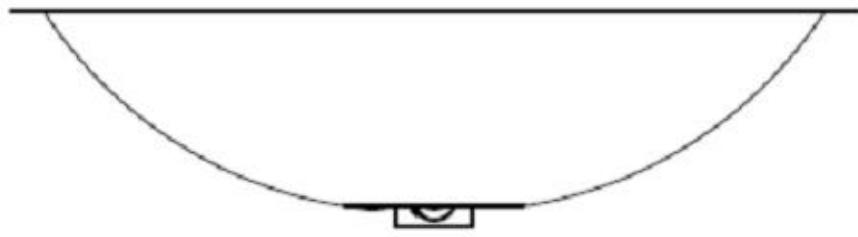
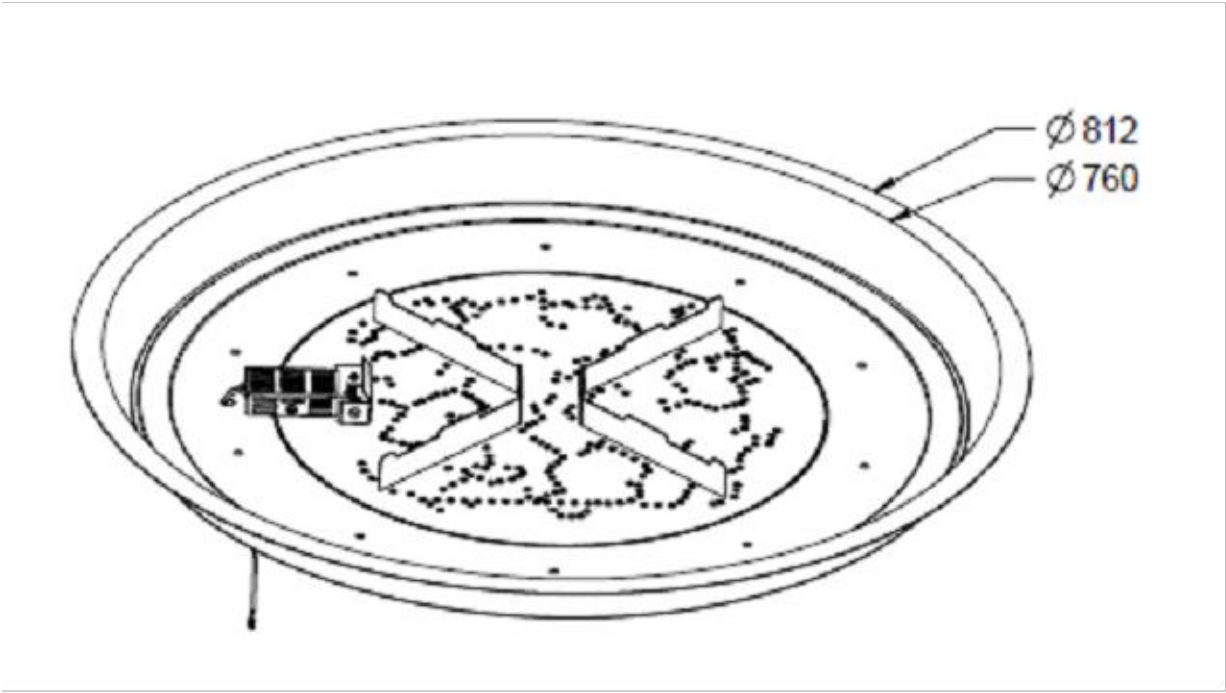
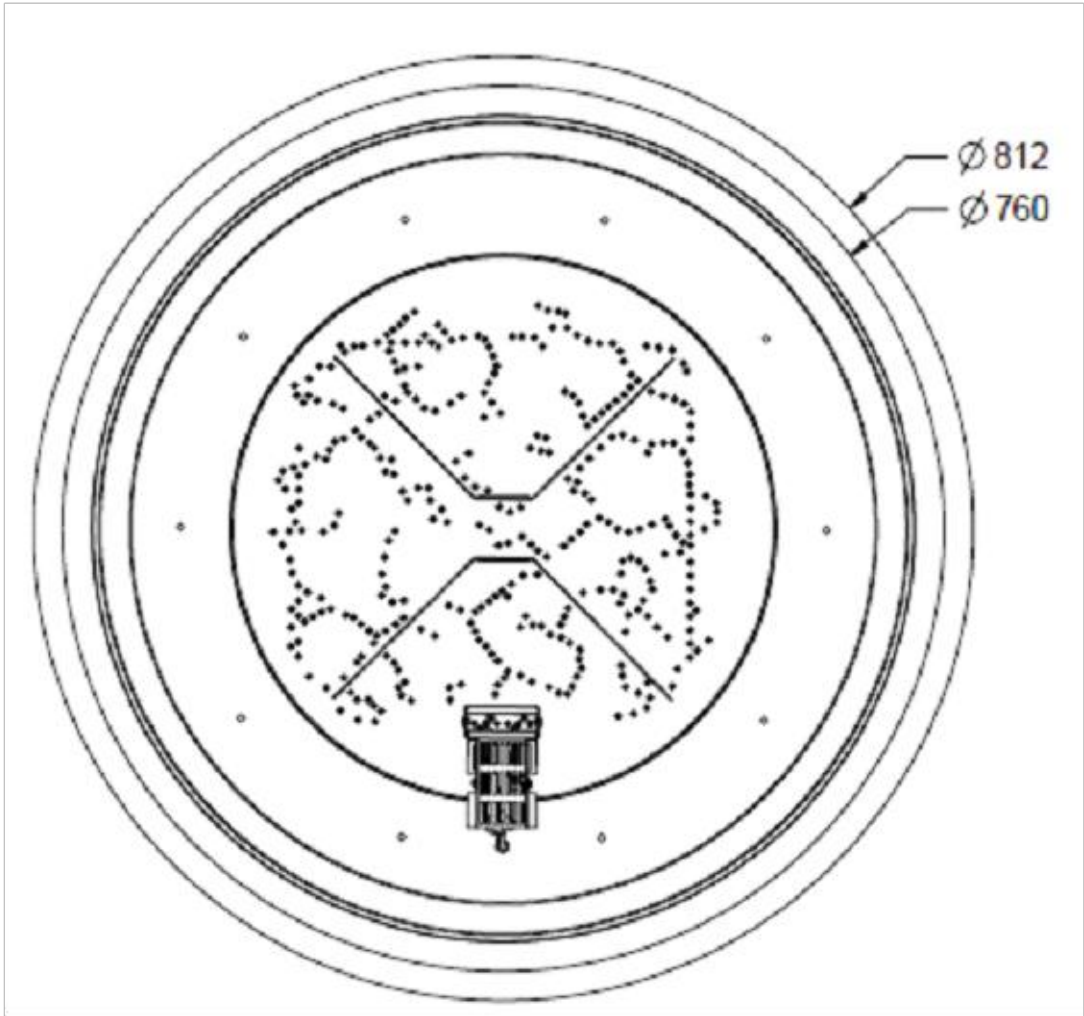
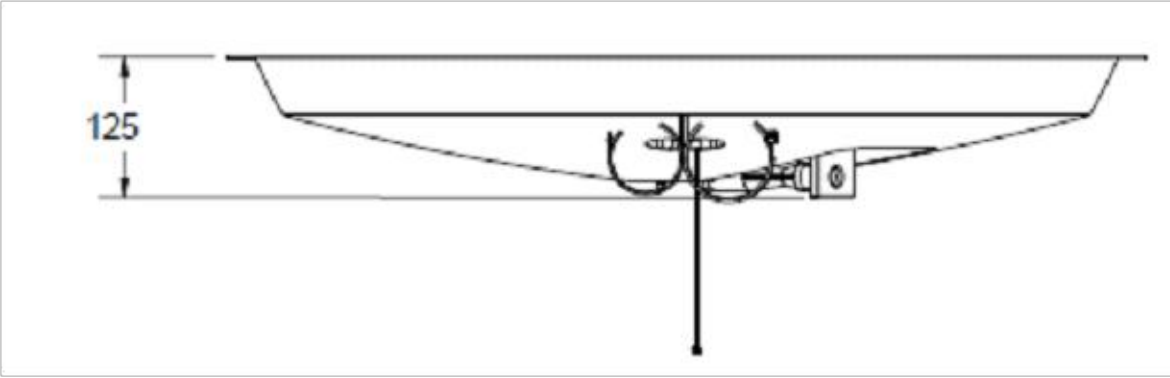


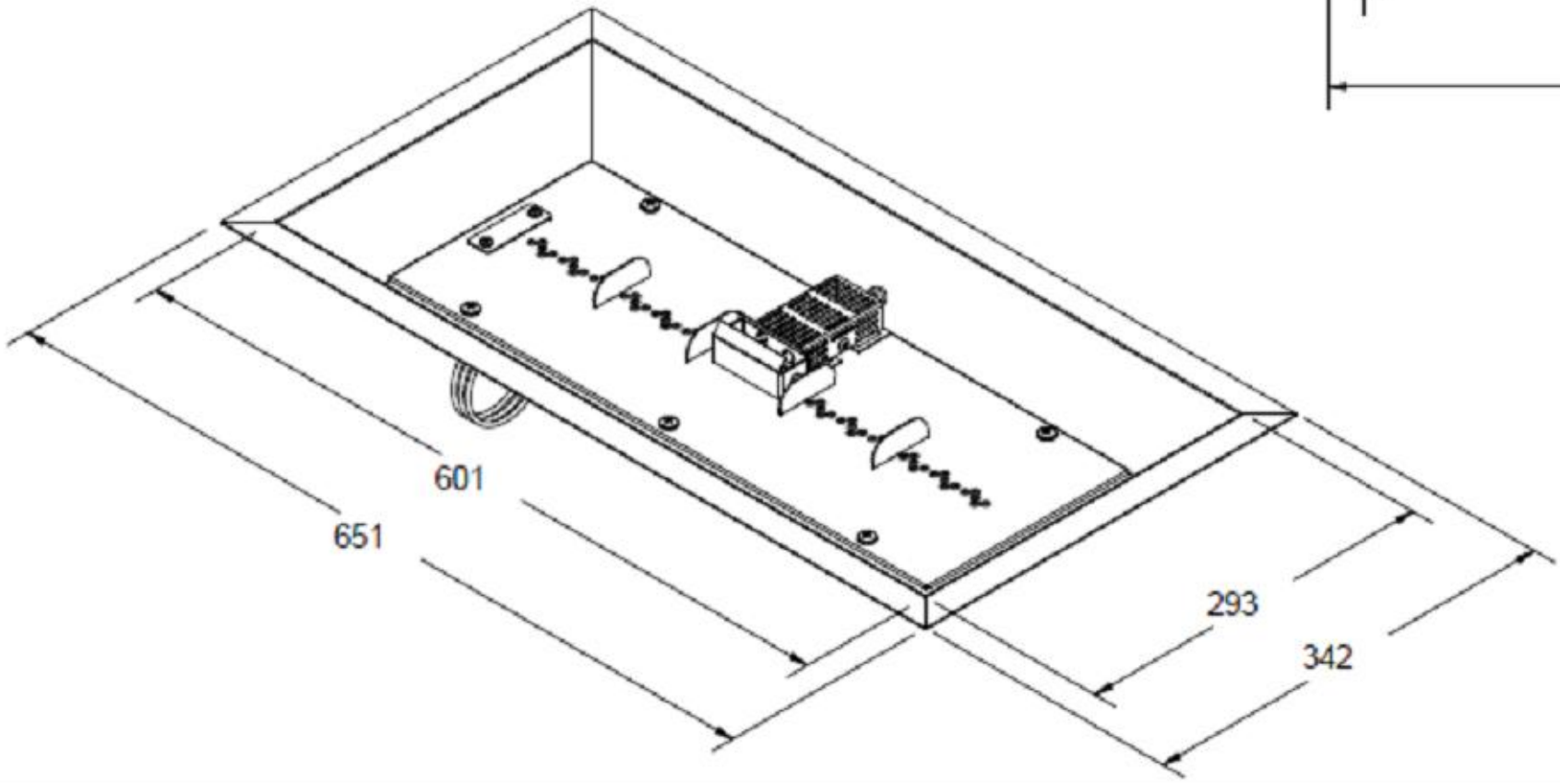
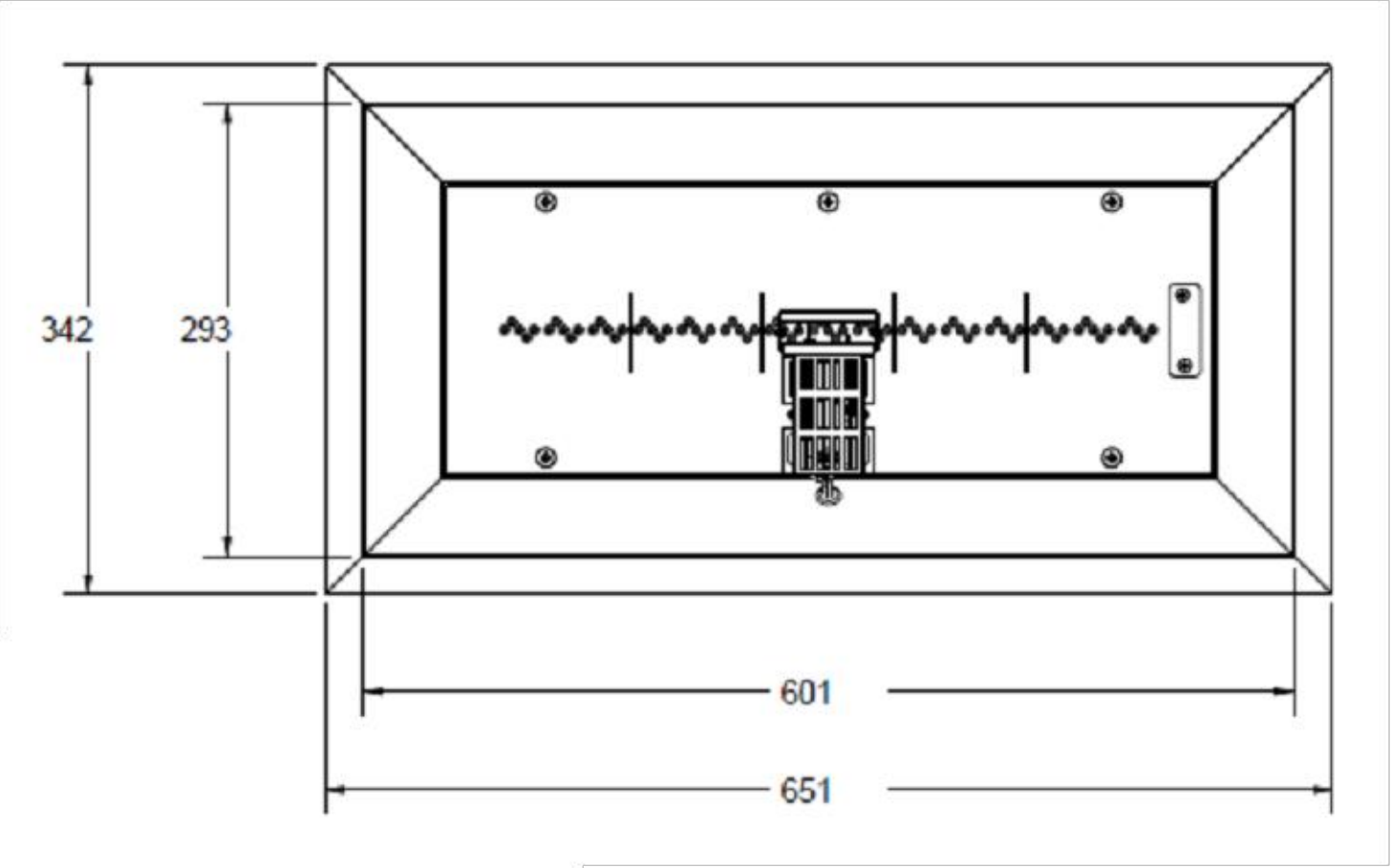
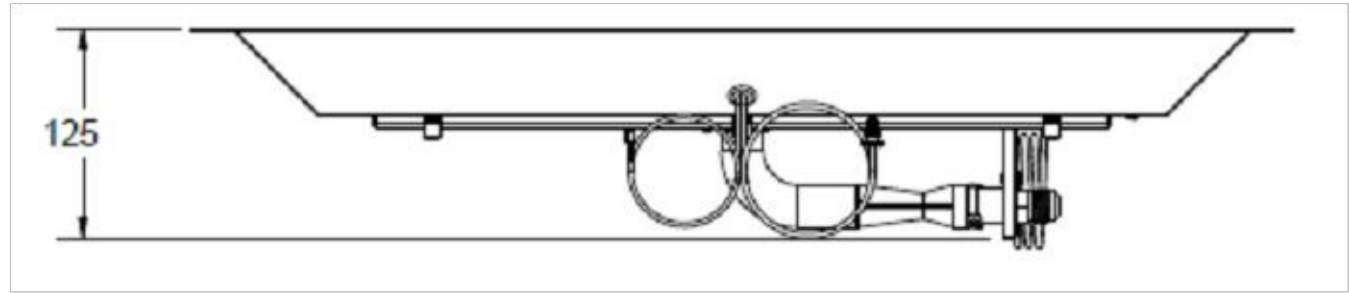
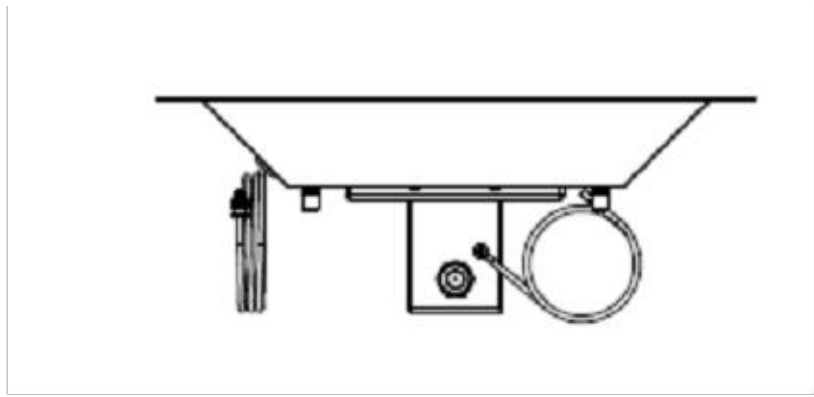
Designed by SJones	Date 25/04/2020	Material	Tolerance + / - .25mm
Living Flame	CF2424		Checked by
	Rhode Island Options		Edition 1 / 11



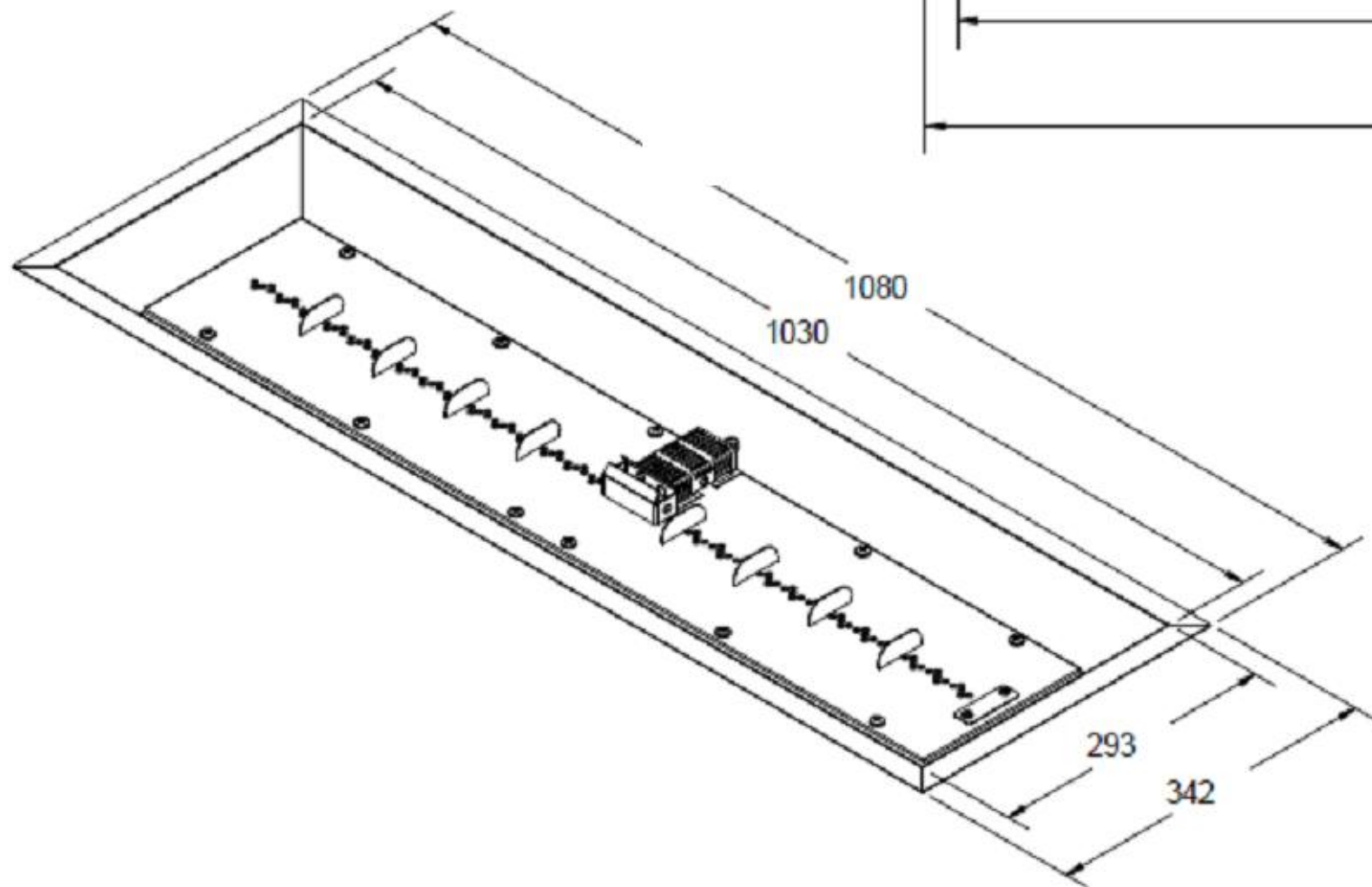
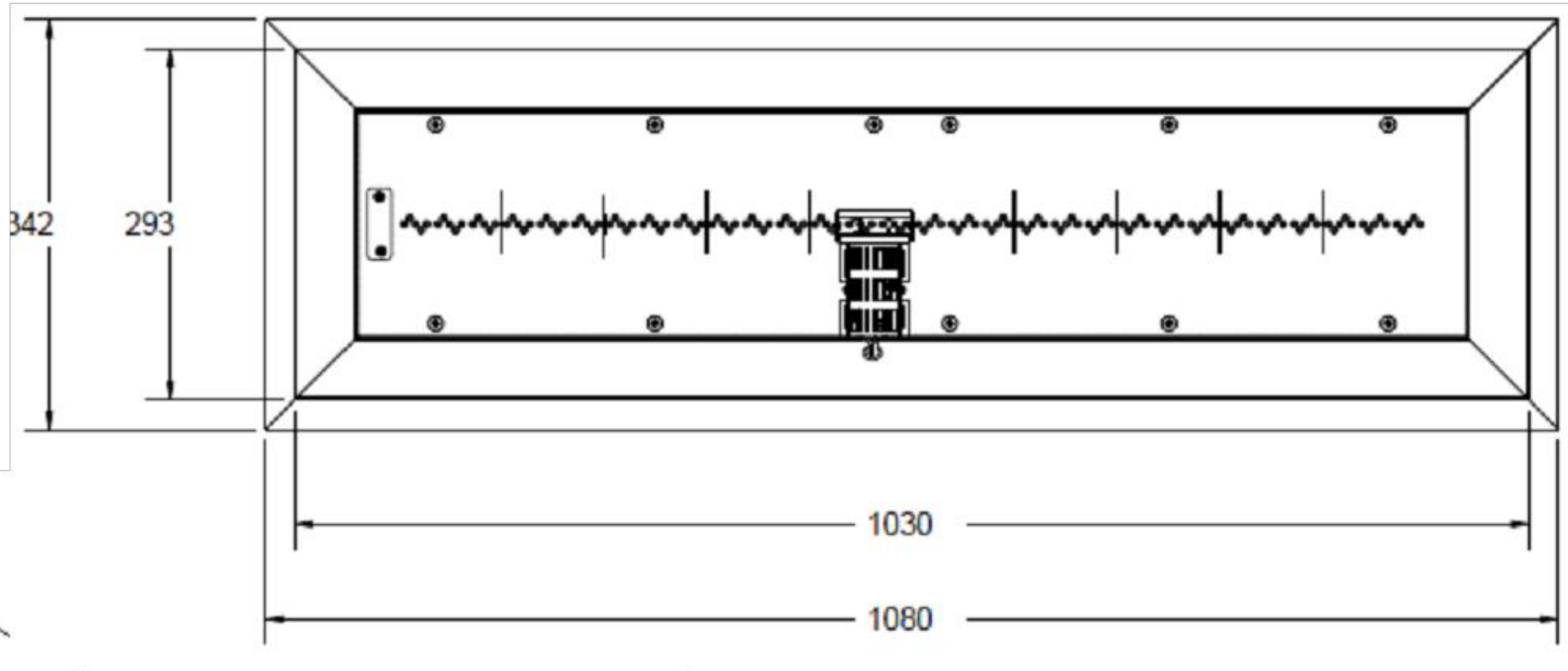
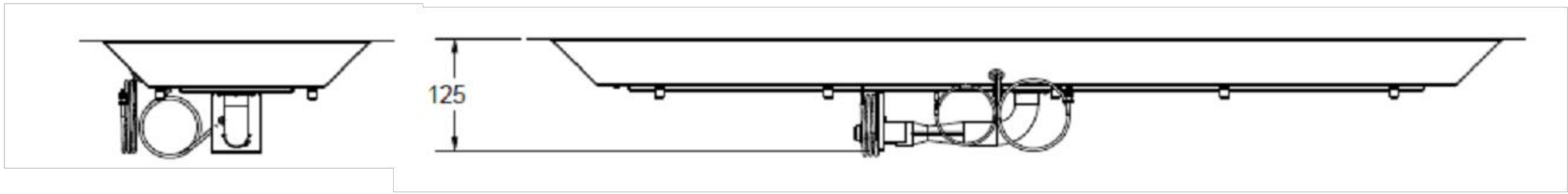
Designed by SJones	Date 25/04/2020	Material	Tolerance + / - .25mm
Living Flame	CFP20		Checked by
	Rhode Island Options		Edition 2 / 11



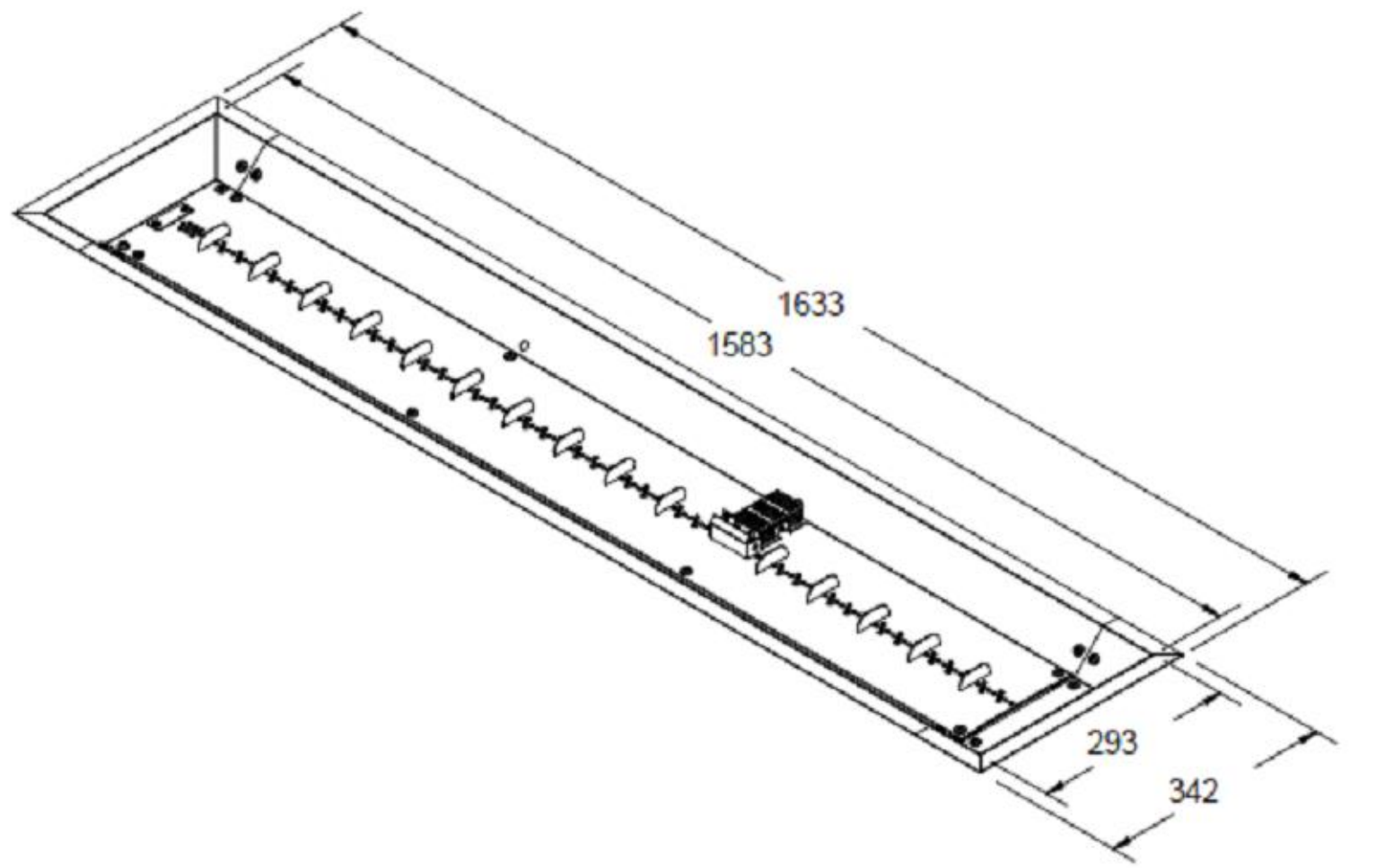
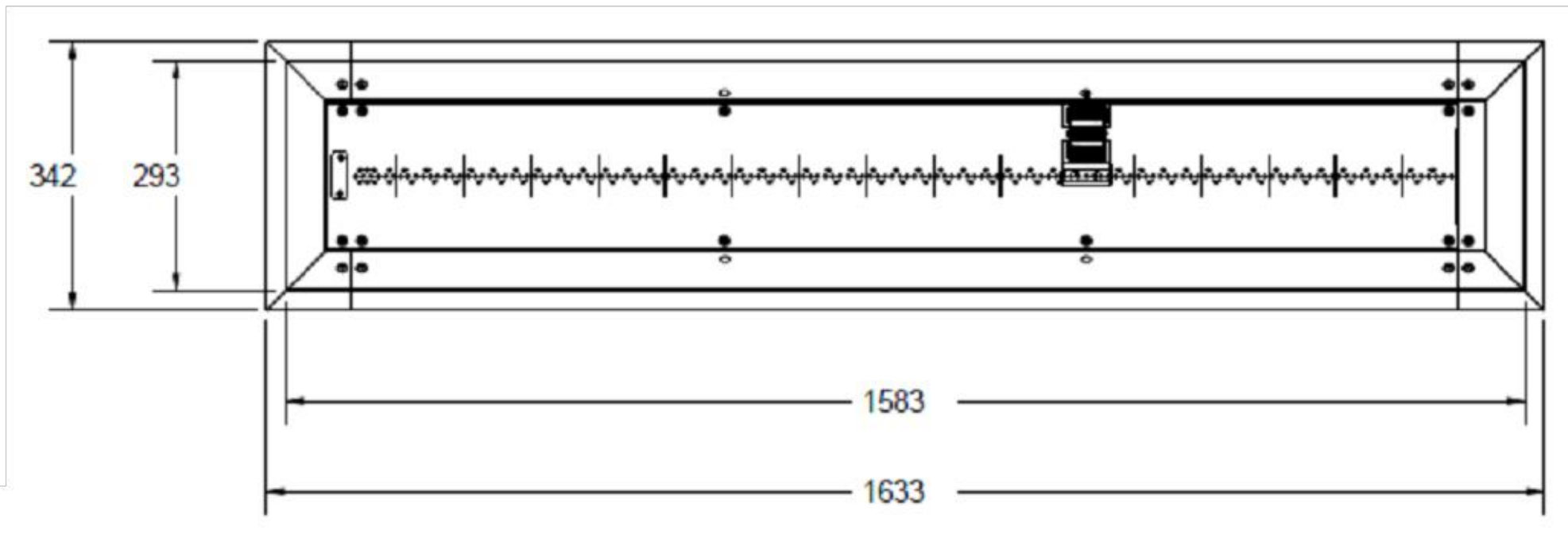
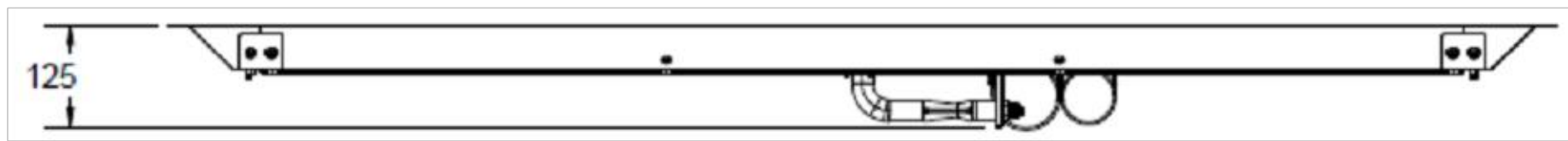
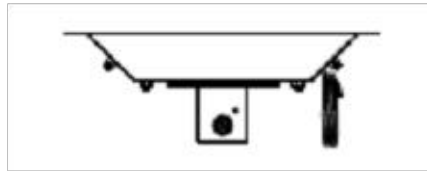
Designed by SJones	Date 25/04/2020	Material	Tolerance + / - .25mm
Living Flame	CFP30	Checked by	
	Rhode Island Options	Edition	Sheet 3 / 11



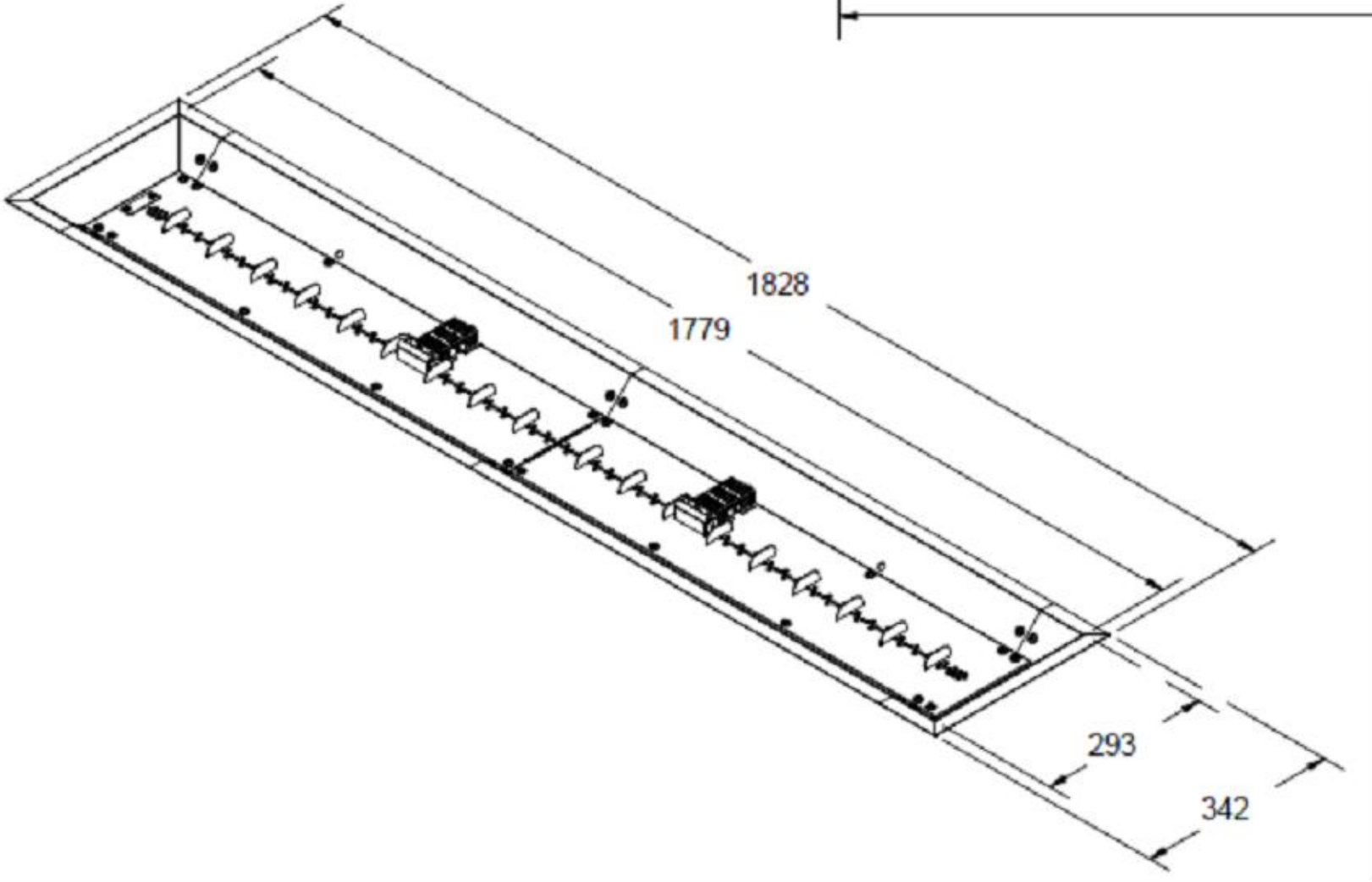
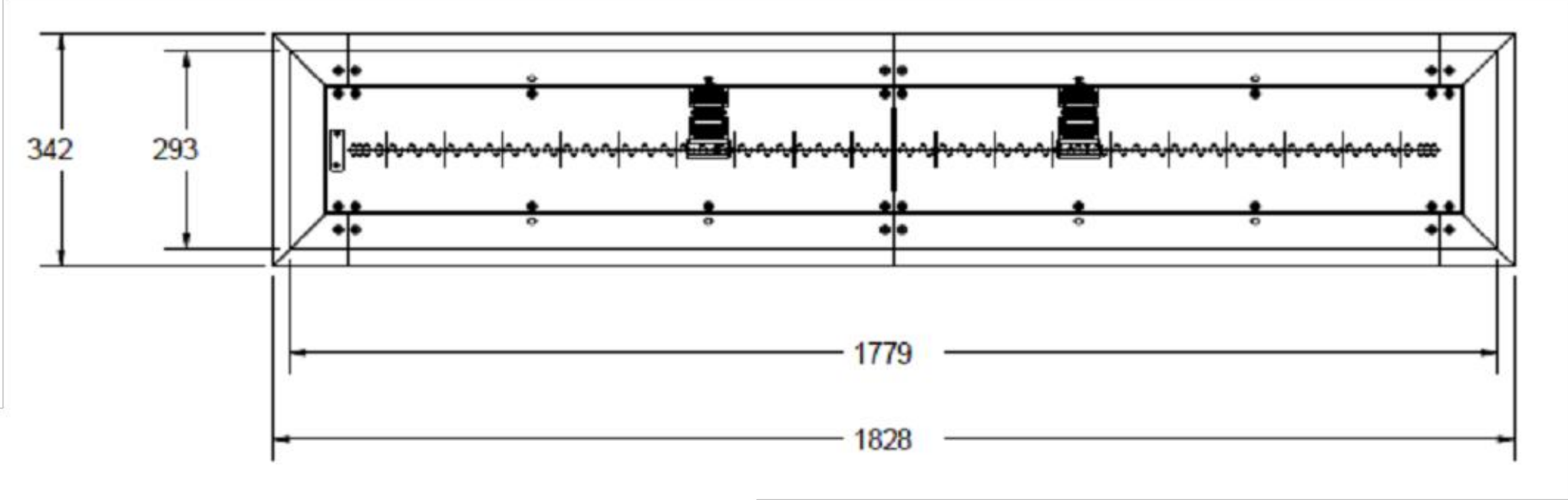
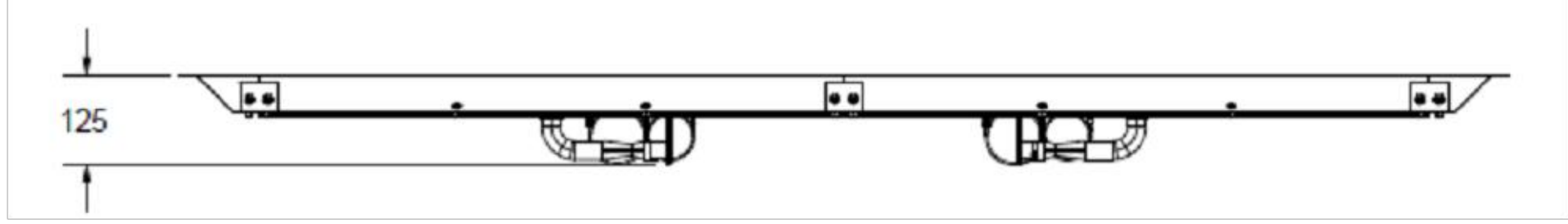
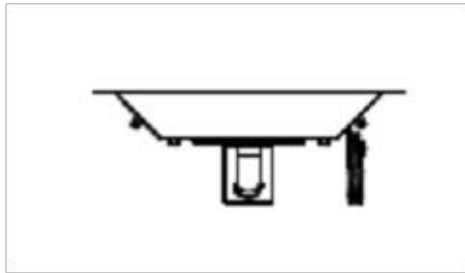
Designed by SJones	Date 25/04/2020	Material	Tolerance + / - .25mm
Living Flame		CFP1224	Checked by
		Rhode Island Options	Edition 4 / 11



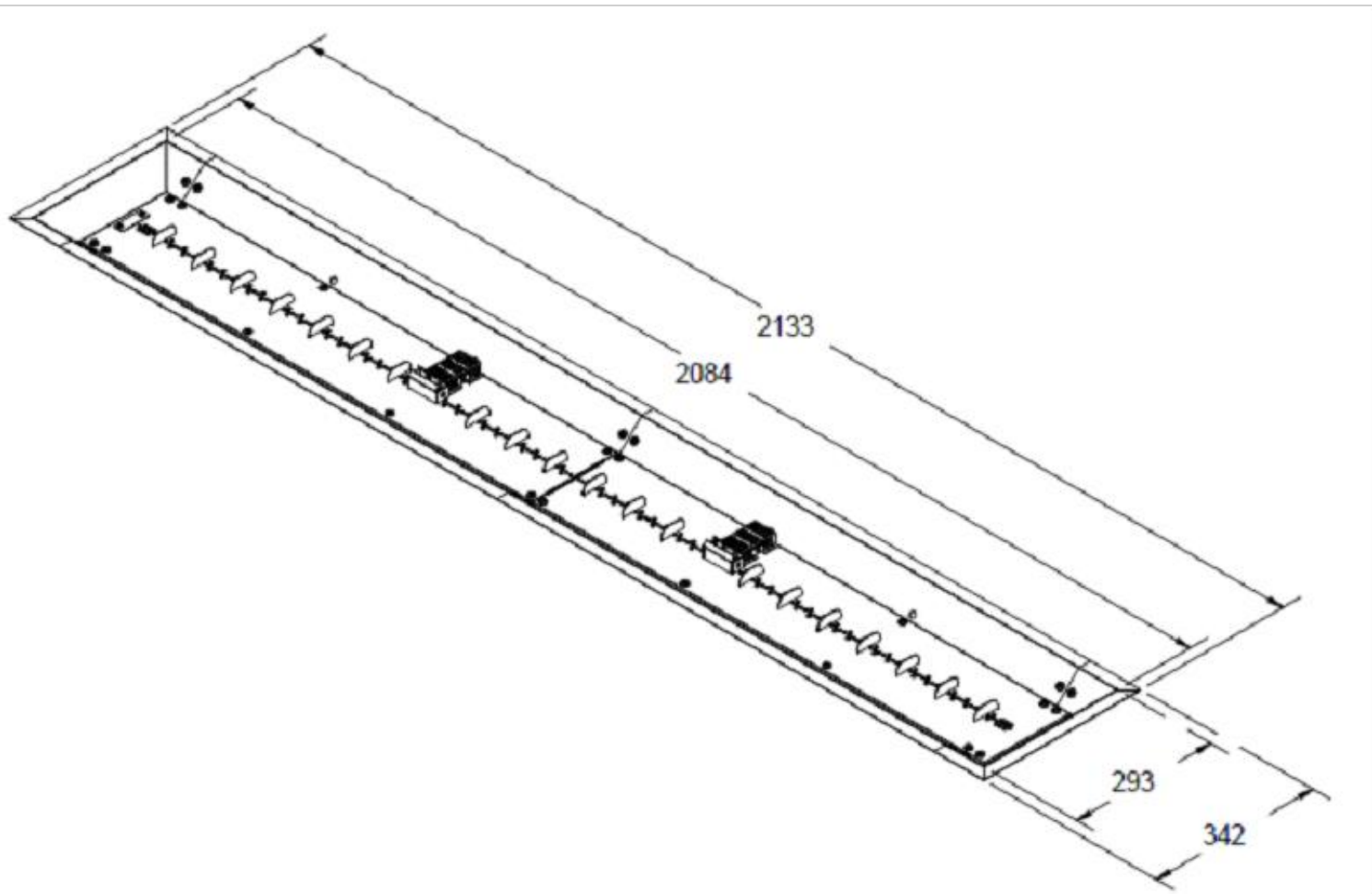
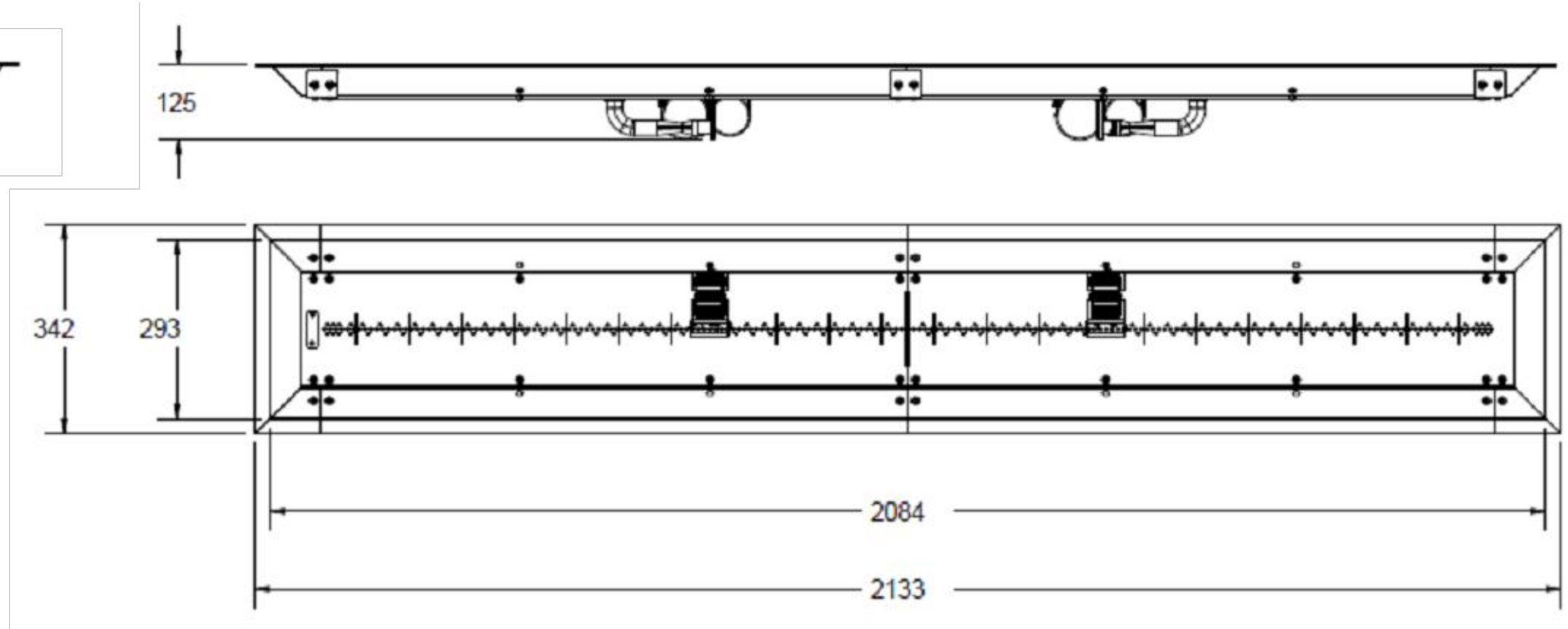
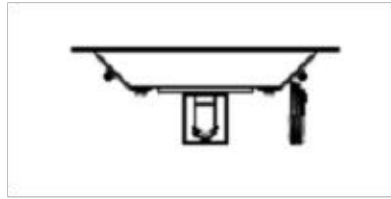
Designed by SJones	Date 25/04/2020	Material	Tolerance + / - .25mm
Living Flame		CFP1242	Checked by
		Rhode Island Options	Edition 5 / 11



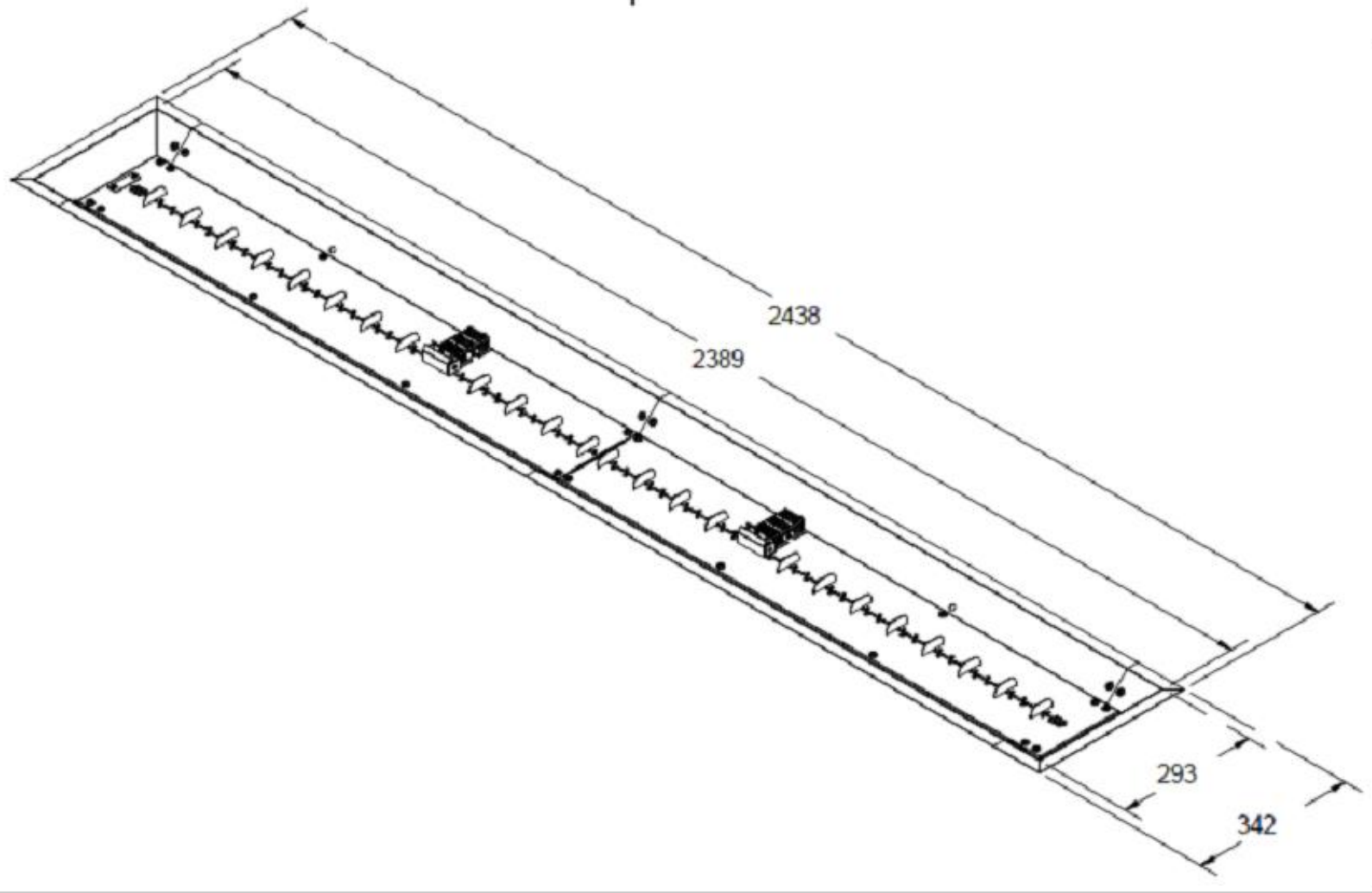
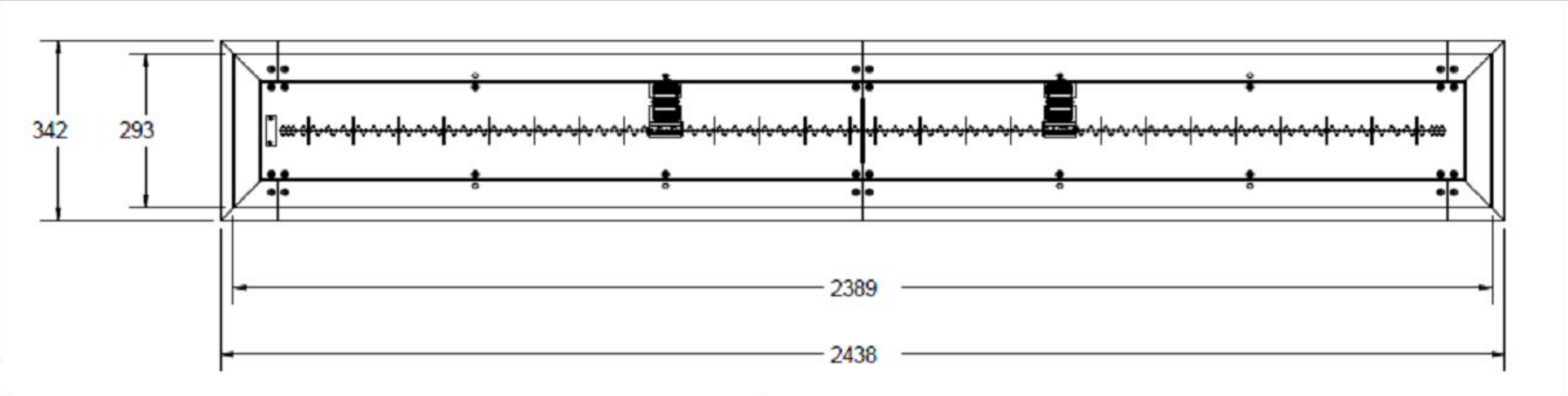
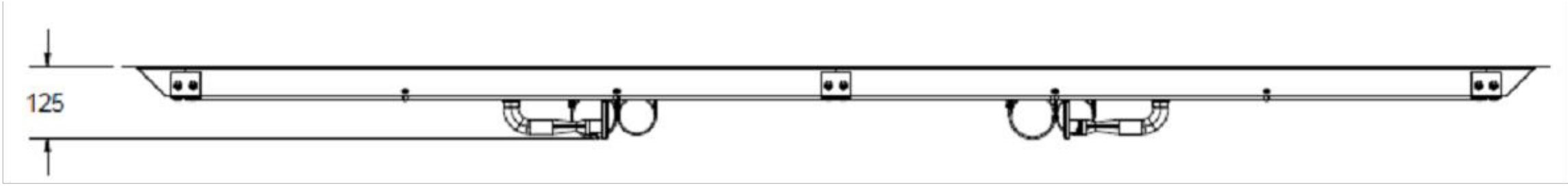
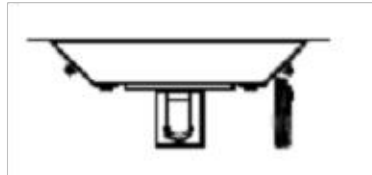
Designed by SJones	Date 25/04/2020	Material	Tolerance + / - .25mm
Living Flame		CFP1264	Checked by
		Rhode Island Options	Edition 6 / 11



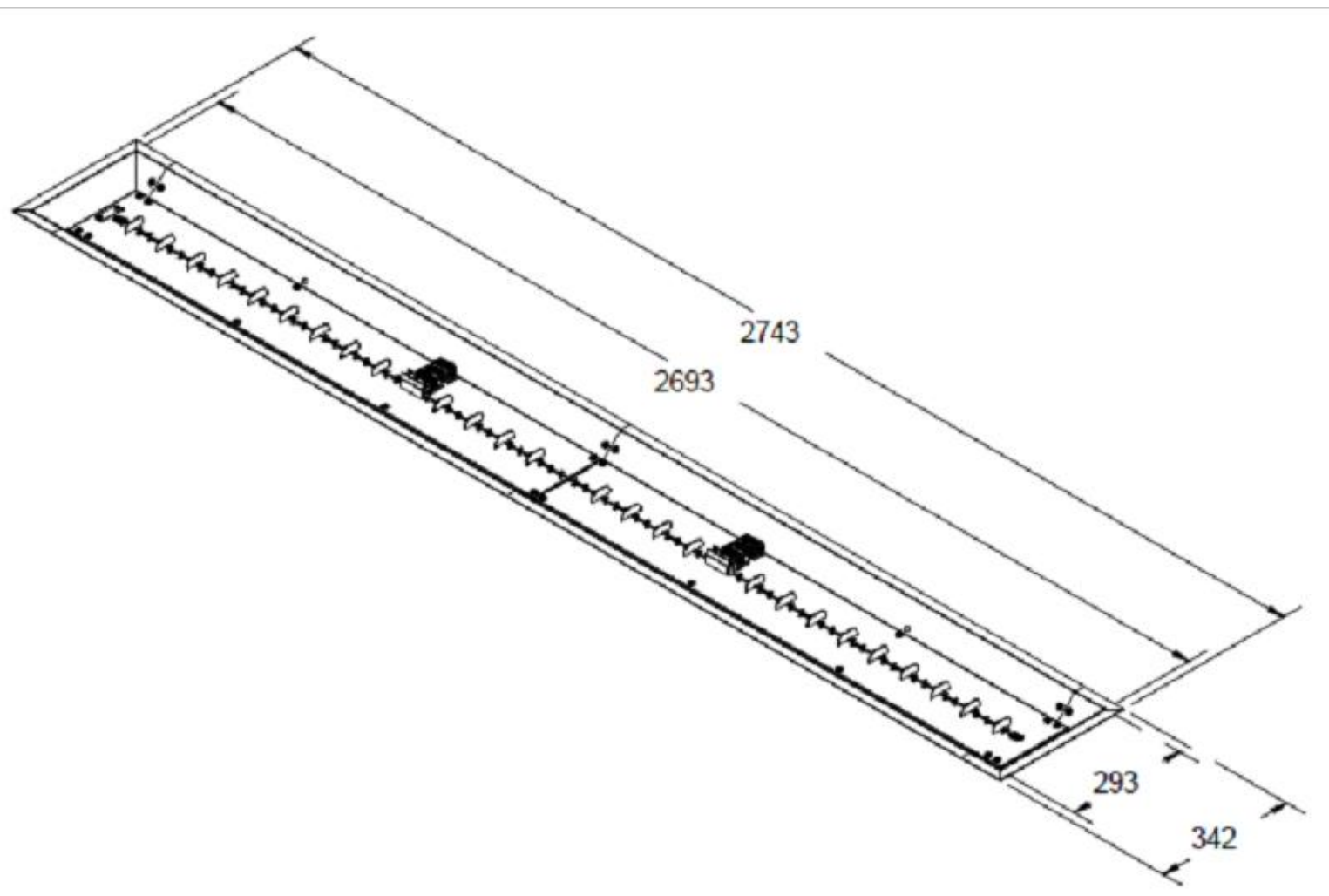
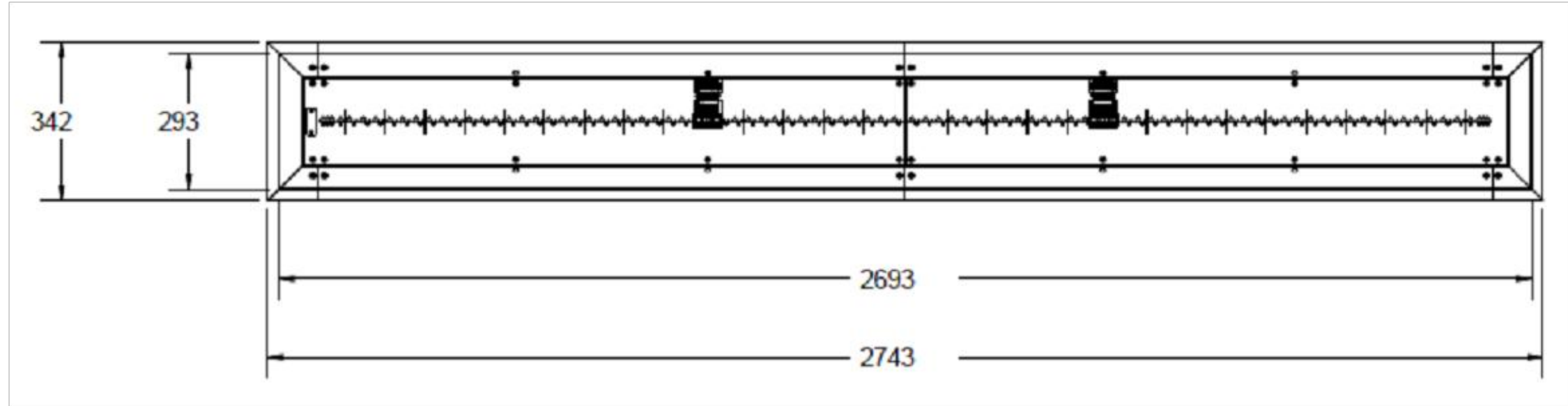
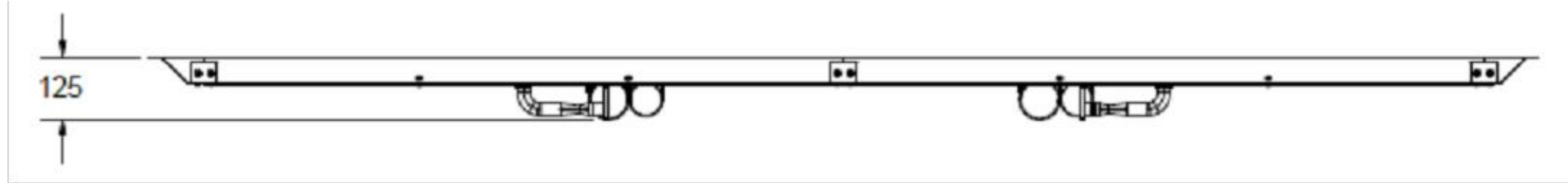
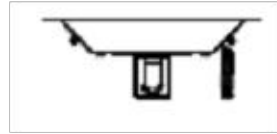
Designed by SJones	Date 25/04/2020	Material	Tolerance + / - .25mm
Living Flame		CFP1272	Checked by
		Rhode Island Options	Edition 7 / 11



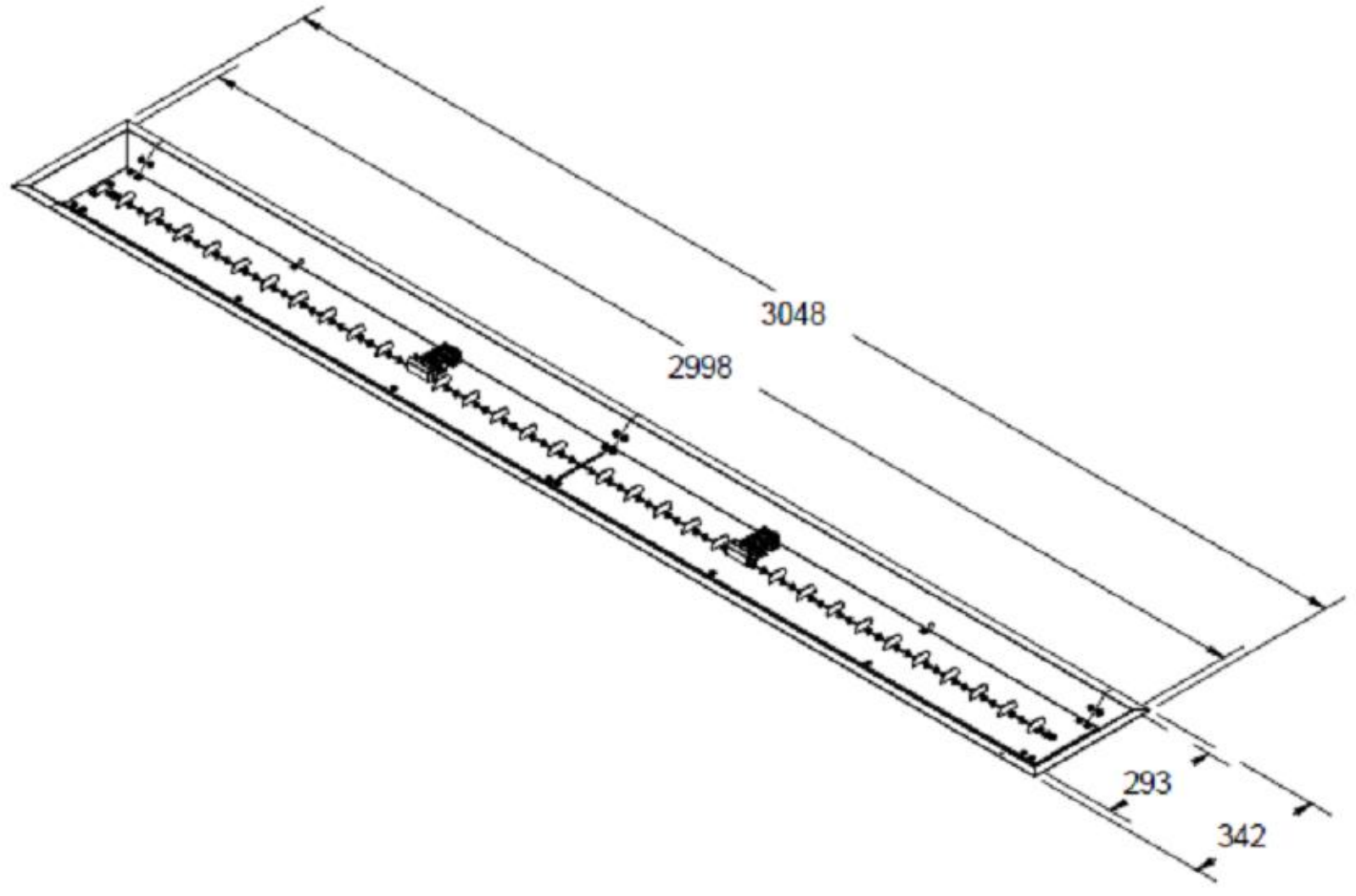
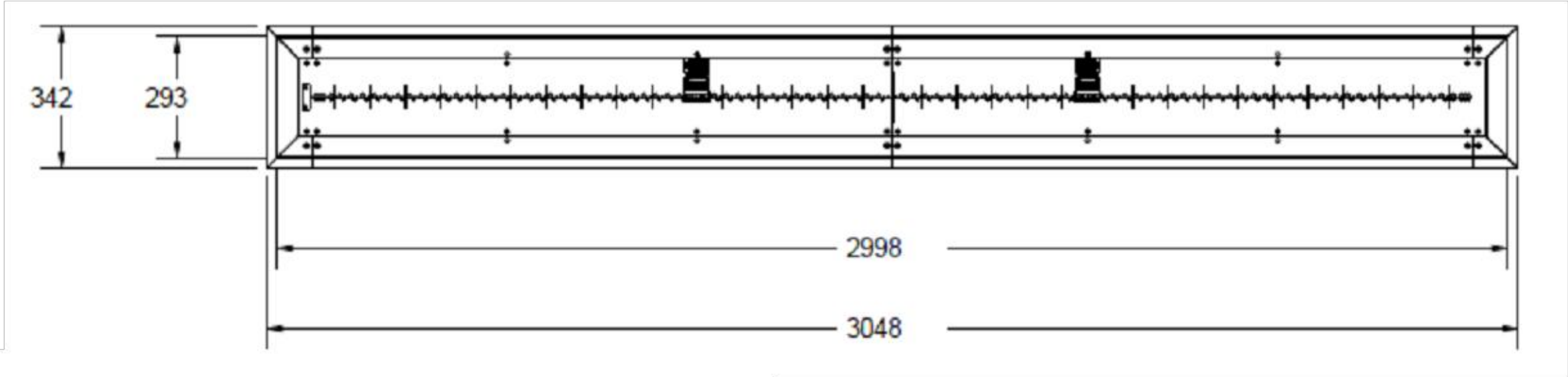
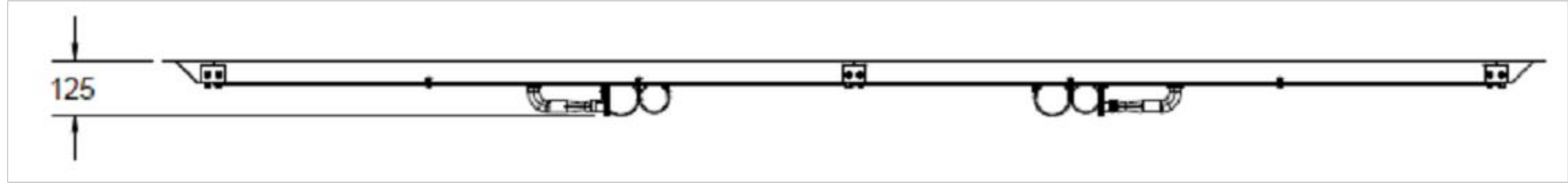
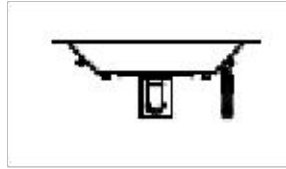
Designed by SJones	Date 25/04/2020	Material	Tolerance + / - .25mm
Living Flame		CFP1284	Checked by
		Rhode Island Options	Edition 8 / 11



Designed by SJones	Date 25/04/2020	Material	Tolerance + / - .25mm
Living Flame	CFP1296		Checked by
	Rhode Island Options		Edition 9 / 11



Designed by SJones	Date 25/04/2020	Material	Tolerance + / - .25mm
Living Flame	CFP12108		Checked by
	Rhode Island Options		Edition Sheet 10 / 11



Designed by SJones	Date 25/04/2020	Material	Tolerance + / - .25mm
Living Flame		CFP12120	Checked by
		Rhode Island Options	Edition Sheet 11 / 11