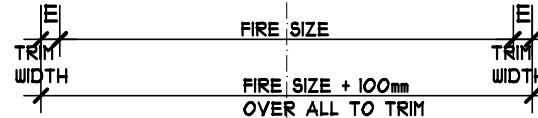
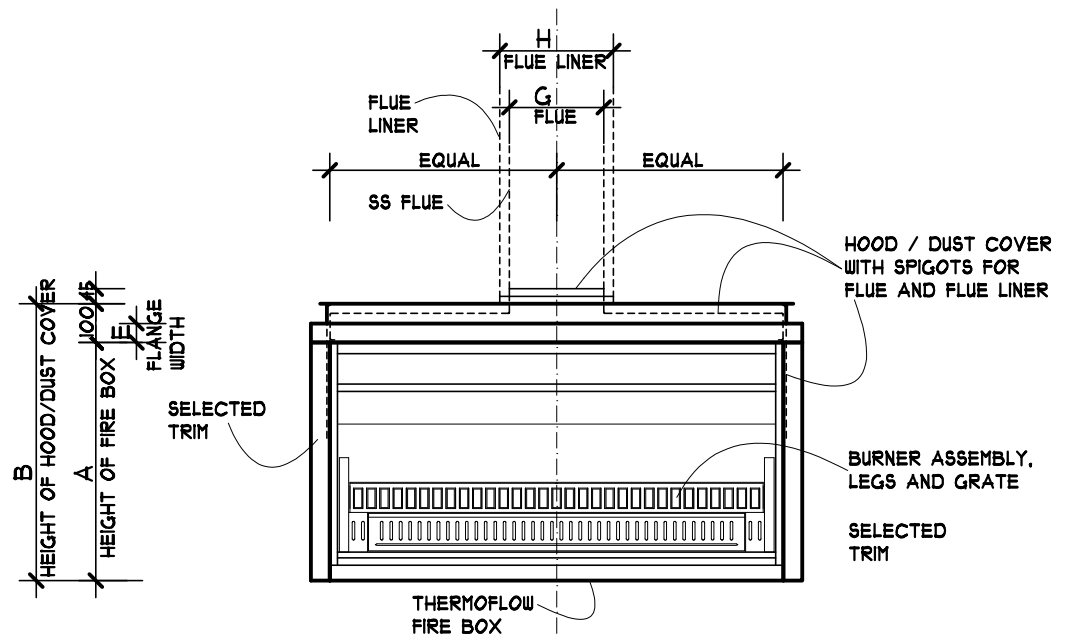


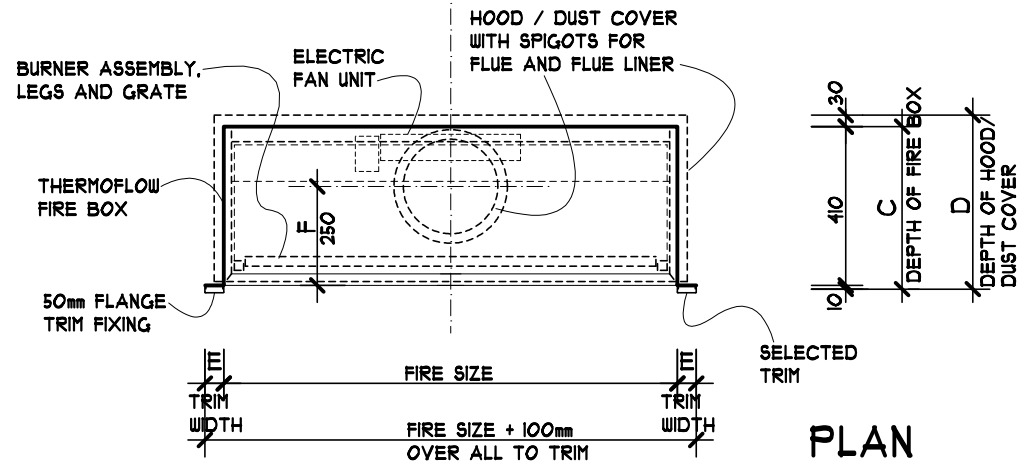
SIDE ELEVATION



FRONT ELEVATION

SCHEDULE OF DIMENSIONS

FIRE SIZE	A-HEIGHT OF FIRE BOX	B-HEIGHT TO TOP OF HOOD	C-DEPTH OF FIRE BOX	D-DEPTH OF FIRE BOX AND HOOD/DUST COVER	E-TRIM WIDTH	G-FLUE DIAMETER	H-FLUE LINER DIAMETER
450 TO 450	430	730	420	450	50	150da	200da
700 TO 750	430	730	420	450	50	175da	225da
800 TO 850	430	730	420	450	50	200da	250da
900 TO 1.050	430	730	420	450	50	250da	300da
1.100 TO 1.200	430	730	420	450	50	275da	325da
1.500	430	730	420	450	50	300da	350da



PLAN

TECHNICAL DETAILS ARE SUBJECT TO CHANGE AND THE USE OF ANY LIVING FLAME DETAILS IS INTENDED FOR ESTIMATING PURPOSES ONLY AND SHALL BE VERIFIED BY THE DESIGNER/BUILDER TO INCLUDE SPECIFIC INSTALLATION DETAILS FOR THE SPECIFIC INSTALLATION CIRCUMSTANCES.

Living Flame
 343B Church Street
 Penrose Auckland
 Ph 09 4221148 Fax 09 4221179
 PO Box 12964 Penrose Auckland 1642
 email info@livingflame.co.nz
 webb www.livingflame.co.nz

DRAWING TITLE
THERMOFLOW DIMENSIONS
STANDARD HOOD/DUST COVER

DRAWN	R WILLIAMS
DATE	2-10-08
SCALE	1:20
REVISED	11-2-10
DRAWING NUMBER	TF-OIA