

OPTIONS:

THERMOFLOW GAS FIRE-MANUAL CONTROL
ELECTRIC ON/OFF
ELECTRONIC TWO STAGE
ELECTRONIC REMOTE

BURNER-(NATURAL GAS OR LPG BOTTLED GAS)

ALL LOGS
ALL COALS
MIXTURE OF LOGS AND COALS

TRIM-AVAILABLE IN BLACK, POLISHED STAINLESS STEEL OR BRUSHED STAINLESS STEEL FINISHES
VOGUE TRIM-

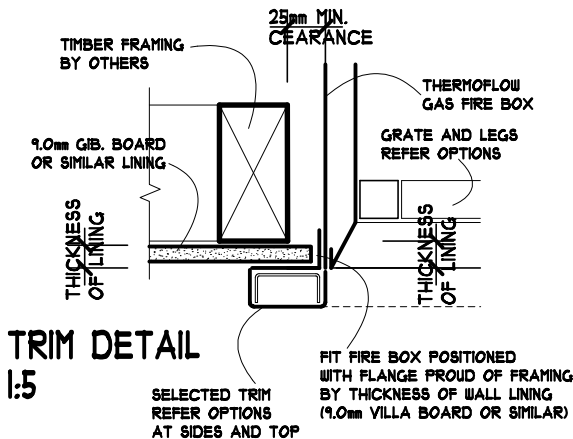
50mm STANDARD TRIM
POLISHED STAINLESS STEEL
150mm SIDES/50mm TOP

GRATES-

PROVINCE, COTTAGE, RIBBED, GOTHIC AND VOGUE

LEGS-

VILLA, DECOR OR NO LEGS



Living Flame
343B Church Street
Penrose Auckland
Ph 09 6221148 Fax 09 6221179
PO Box 12964 Penrose Auckland 1642
email info@livingflame.co.nz
webb www.livingflame.co.nz

DRAWING TITLE
**INSTALLATION DETAILS
THERMOFLOW FIRE-TIMBER FRAMED
CHIMNEY**

DRAWN R WILLIAMS
DATE 21-10-08
SCALE 1:20 IS
REVISED 20-1-10
DRAWING NUMBER **TF-03**

© COPYRIGHT LIVING FLAME 2008

TECHNICAL DETAILS ARE SUBJECT TO CHANGE AND THE USE OF ANY LIVING FLAME DETAILS IS INTENDED FOR ESTIMATING PURPOSES ONLY AND SHALL BE VERIFIED BY THE DESIGNER/BUILDER TO INCLUDE SPECIFIC INSTALLATION DETAILS FOR THE SPECIFIC INSTALLATION CIRCUMSTANCES.